

# connector - with screwless terminals, for harsh applications



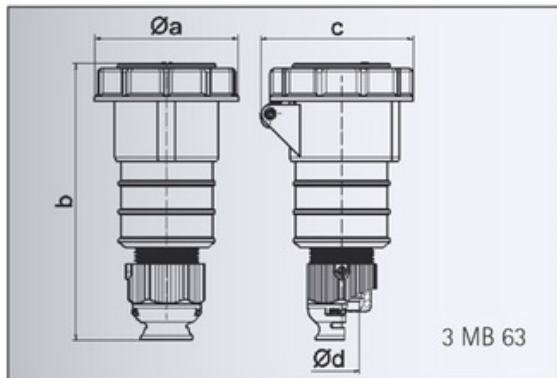
## Product description

Order number	31241
EAN/pcs	4024941312417
Product Group	Quick-Connect TE-Plus Connector Multi-Grip cable gland
Amperage	16A
Poles	4p (3P+PE)
Earth 'Clock' Position	6 h
Voltage	380 up to 415V
Frequency	50 and 60Hz
Protection	IP67
Color code	red RAL 3000
Connection Design	screwless spring terminals as spring clamp with Kontext-contact
Max. conductor	2,5 mm <sup>2</sup>

## Further Information

Additional technical information	For cable diameter from 8 up to max. 18 mm Multi-Grip cable gland with gasket, integrated cable clamp and additional water evacuation openings
----------------------------------	---

Material	
Material of Enclosure	Polyamide
Contact / Contact Carrier	contact carrier made of high temperature resistant material, contacts are brass nickel plated
Weight/pcs	0.204 kg
Packaging unit	10 pcs



Ampere	16	16	16	32	32	32
Polzahl	3	4	5	3	4	5
a ø	70,5	78,0	86,5	94,0	94,0	101,5
b	161,0	161,0	168,0	196,0	196,0	200,0
c	77,0	83,0	93,0	99,0	99,0	107,0
d ø	18,0	18,0	21,0	23,0	23,0	27,0
Leiter mm <sup>2</sup> min	1	1	1	2,5	2,5	2,5
Leiter mm <sup>2</sup> max	2,5	2,5	2,5	6	6	6