

# switched, interlocked - housing dimensions 260x160

## Product description

Order number	16605
EAN/pcs	4024941166058
Product Group	GT wall mounting socket outlet, switched, interlocked
Amperage	63A
Poles	4p (3P+PE)
Earth 'Clock' Position	6 h
Voltage	380 up to 415V
Frequency	50 and 60Hz
Protection	IP44
Color code	red RAL 3000
Connection Design	screw terminal as box terminal with Kontex-contact
Max. conductor	25.0 mm <sup>2</sup>

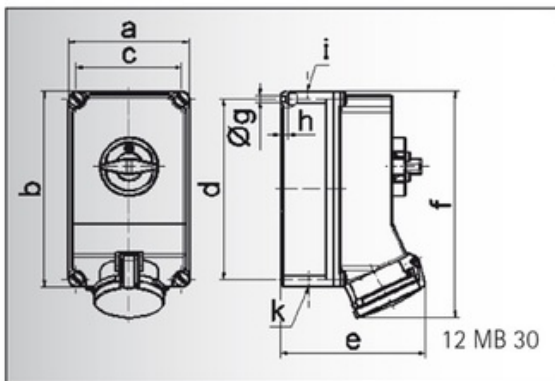


## Further Information

Cable entry	top entry M40 bottom entry M40/M32
Packaging	260x160 mm (HxW)
Additional technical information	The cable entry is one at top and two at bottom open In 0-position lockable for 4 padlocks with bow diameter up to 7 mm

**Material**

Material of Enclosure	Polycarbonate
Contact / Contact Carrier	contact carrier made of high temperature resistant material, contacts and box terminals are brass
Weight/pcs	2.150 kg
Packaging unit	1 pcs



Ampere	63	63	63
Polzahl	3	4	5
a	160,0	160,0	160,0
b	260,0	260,0	260,0
c	140,0	140,0	140,0
d	240,0	240,0	240,0
e	184,0	184,0	184,0
f	302,0	302,0	302,0
g ø	8,1	8,1	8,1
h	10,0	10,0	10,0
i	M 40	M 40	M 40
k	M 32/40	M 32/40	M 32/40