

fused - housing dimensions 260x160 with mounting rail

Product description

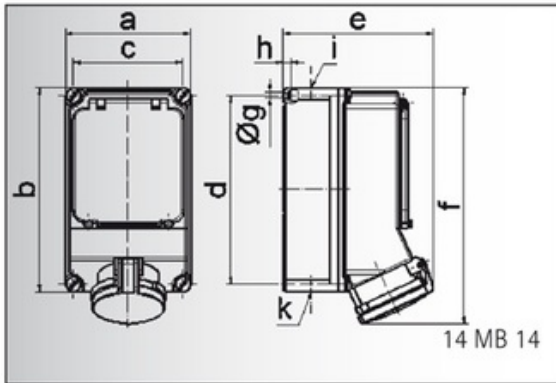
Order number	15036
EAN/pcs	4024941150361
Product Group	GT wall mounting socket outlet, fused
Amperage	63A
Poles	5p (3p+N+PE)
Earth 'Clock' Position	6 h
Voltage	200/346 up to 240/415V
Frequency	50 and 60Hz
Protection	IP44
Color code	red RAL 3000
Connection Design	screw terminal as box terminal with Kontex-contact
Max. conductor	25.0 mm ²



Further Information

Cable entry	top entry M40 bottom entry M40/M32
Packaging	260x160 mm (HxW)
Additional technical information	The cable entry is one at top and two at bottom open With mounting rail Protective cover for fuses with stamping With mounting rail for 7 modules, vertical

Material	
Material of Enclosure	Polycarbonate
Contact / Contact Carrier	contact carrier made of high temperature resistant material, contacts and box terminals are brass nickel plated
Weight/pcs	1.895 kg
Packaging unit	1 pcs



Ampere	32	32	63	63	63
Polzahl	4	5	3	4	5
a	160,0	160,0	160,0	160,0	160,0
b	260,0	260,0	260,0	260,0	260,0
c	140,0	140,0	140,0	140,0	140,0
d	240,0	240,0	240,0	240,0	240,0
e	160,0	168,0	185,0	185,0	185,0
f	286,0	286,0	303,0	303,0	303,0
g ø	8,1	8,1	8,1	8,1	8,1
h	10,0	10,0	10,0	10,0	10,0
i	M 40	M 40	M 40	M 40	M 40
k	M 32/40	M 32/40	M 32/40	M 32/40	M 32/40