

fused - housing dimensions 260x160 with mounting rail

Product description

Order number	15001
EAN/pcs	4024941150019
Product Group	GT wall mounting socket outlet, fused
Amperage	63A
Poles	5p (3p+N+PE)
Earth 'Clock' Position	6 h
Voltage	200/346 up to 240/415V
Frequency	50 and 60Hz
Protection	IP67
Color code	red RAL 3000
Connection Design	screw terminal as box terminal with Kontex-contact
Max. conductor	25.0 mm ²

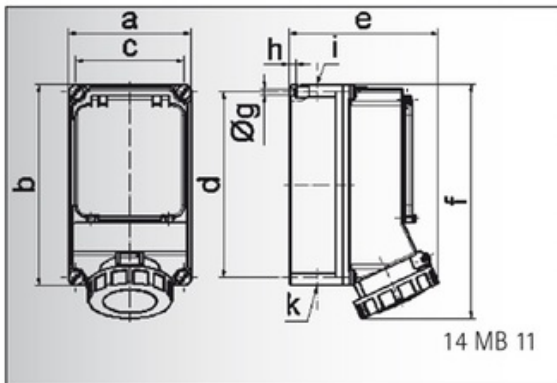


Further Information

Cable entry	top entry M40 bottom entry M40/M32
Packaging	260x160 mm (HxW)
Additional technical information	The cable entry is one at top and two at bottom open With mounting rail Protective cover for fuses with stamping With mounting rail for 7 modules, vertical

Material

Material of Enclosure	Polycarbonate
Contact / Contact Carrier	contact carrier made of high temperature resistant material, contacts are brass nickel plated
Weight/pcs	1.950 kg
Packaging unit	1 pcs



Ampere	32	32	63	63
Polzahl	4	5	4	5
a	160,0	160,0	160,0	160,0
b	260,0	260,0	260,0	260,0
c	140,0	140,0	140,0	140,0
d	240,0	240,0	240,0	240,0
e	172,0	174,0	195,0	195,0
f	293,0	294,0	304,0	304,0
g ø	8,1	8,1	8,1	8,1
h	10,0	10,0	10,0	10,0
i	M 40	M 40	M 40	M 40
k	M 32/40	M 32/40	M 32/40	M 32/40