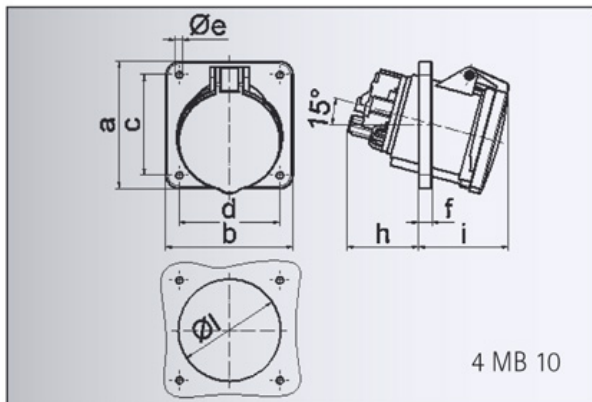


# Data sheet

Order number: 12380

GT panel mounting socket Outlet, angled

EAN/pcs	<b>4024941123808</b>
Ampere	<b>63A</b>
Poles	<b>5p (3p+N+PE)</b>
Earth 'Clock' Position	<b>6 h</b>
Voltage	<b>200/346 up to 240/415V</b>
Frequency	<b>50 and 60Hz</b>
Protection	<b>IP44</b>
Color code	<b>red RAL 3000</b>
Connection Design	<b>screw terminal</b>
Contact	<b>contact carrier made of Polyamide, contacts are brass</b>
Weight/pcs	<b>0.535 kg</b>
Packaging unit	<b>5 pcs</b>
Material of enclosure	<b>Polyamide</b>



Ampere	<b>63</b>	<b>63</b>	<b>63</b>
Polzahl	<b>3</b>	<b>4</b>	<b>5</b>
a	114,0	114,0	114,0
b	114,0	114,0	114,0
c	90,0	90,0	90,0
d	90,0	90,0	90,0
e ø	6,5	6,5	6,5
f	12,0	12,0	12,0
h	65,0	65,0	65,0
i	81,0	81,0	81,0
l	92,0	92,0	92,0
Leiter mm <sup>2</sup> min	6	6	6
Leiter mm <sup>2</sup> max	25	25	25

**Bals Elektrotechnik GmbH & Co. KG**

D-57399 Kirchhundem - Albaum

phone: +49(0)2723/771-0 fax: +49(0)2723/771-177

email: [info@bals.com](mailto:info@bals.com) [www.bals.com](http://www.bals.com)

date: 25.06.2014