

# panel mounting socket outlet angled - flange 114x114, fixing centers 90x90

## Product description

Order number	12104
EAN/pcs	4024941121040
Product Group	TE panel mounting socket outlet, angled
Amperage	125A
Poles	4p (3P+PE)
Earth 'Clock' Position	6 h
Voltage	380 up to 415V
Frequency	50 and 60Hz
Protection	IP67
Color code	red RAL 3000
Connection Design	screw terminal as box terminal with Kontex-contact
Max. conductor	70.0 mm <sup>2</sup>

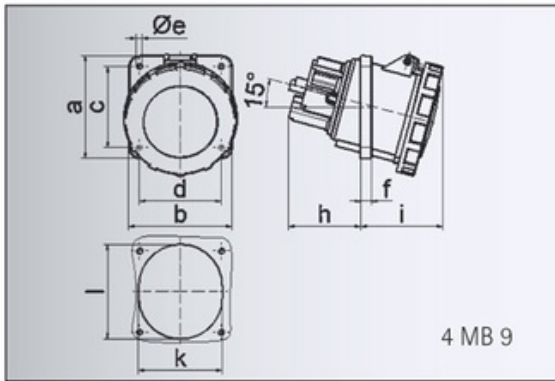


## Further Information

Additional technical information The inclination is 15°

## Material

Material of Enclosure	Polyamide
Contact / Contact Carrier	contact carrier made of high temperature resistant material, contacts and box terminals are brass nickel plated
Weight/pcs	0.880 kg
Packaging unit	5 pcs



Ampere	125	125	125
Polzahl	3	4	5
a	114,0	114,0	114,0
b	114,0	114,0	114,0
c	90,0	90,0	90,0
d	90,0	90,0	90,0
e ø	6,5	6,5	6,5
f	12,0	12,0	12,0
h	82,0	82,0	82,0
i	90,0	90,0	90,0
k	92,0	92,0	92,0
l	105,0	105,0	105,0
Leiter mm <sup>2</sup> min	25	25	25
Leiter mm <sup>2</sup> max	70	70	70