

# panel mounting socket outlet angled - flange 114x114, fixing centers 90x90

## Product description

Order number	12001
EAN/pcs	4024941120012
Product Group	GT panel mounting socket outlet, angled
Amperage	63A
Poles	3p (2P+PE)
Earth 'Clock' Position	6 h
Voltage	200 up to 250V
Frequency	50 and 60Hz
Protection	IP67
Color code	blue RAL 5015
Connection Design	screw terminal as box terminal with Kontex-contact
Max. conductor	25.0 mm <sup>2</sup>

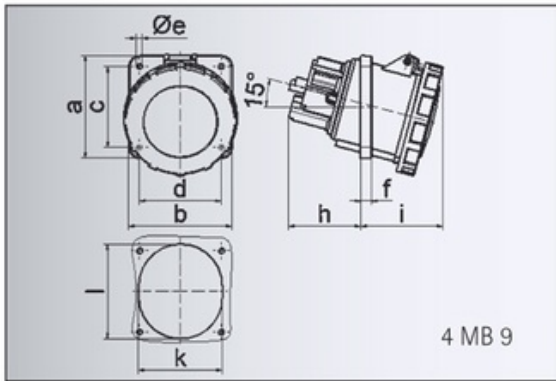


## Further Information

Additional technical information The inclination is 15°

## Material

Material of Enclosure	Polyamide
Contact / Contact Carrier	contact carrier made of Polyamide, contacts are brass nickel plated
Weight/pcs	0.475 kg
Packaging unit	5 pcs



Ampere	63	63	63
Polzahl	3	4	5
a	114,0	114,0	114,0
b	114,0	114,0	114,0
c	90,0	90,0	90,0
d	90,0	90,0	90,0
e ø	6,5	6,5	6,5
f	12,0	12,0	12,0
h	65,0	65,0	65,0
i	80,0	80,0	80,0
k	92,0	92,0	92,0
l	92,0	92,0	92,0
Leiter mm <sup>2</sup> min	6	6	6
Leiter mm <sup>2</sup> max	25	25	25