

Data sheet

Order number: 210576

TLS plug Multi-Grip cable gland

EAN/pcs **4024941109765**

Ampere **16A**

Poles **3p (2P+PE)**

Earth 'Clock' Position **6 h**

Voltage **200 up to 250V**

Frequency **50 and 60Hz**

Protection **IP67**

Color code **blue RAL 5015**

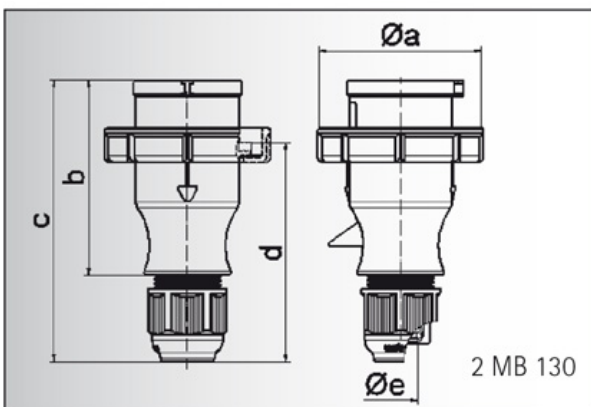
Connection Design **screw terminal**

Contact **contact carrier made of polyamide, the contacts are brass**

Weight/pcs **0.151 kg**

Packaging unit **10 pc/pcs**

Material of enclosure **Polyamide**



Ampere	16	16	16	32	32	32
Polzahl	3	4	5	3	4	5
a ø	70,0	78,0	86,0	94,0	94,0	101,0
b	94,5	98,0	101,0	115,0	115,0	119,0
c	138,0	142,0	145,0	170,0	170,0	174,0
d	105,5	109,5	112,5	128,0	128,0	132,0
e ø	18,0	18,0	18,0	23,0	23,0	23,0
Leiter mm ² min	1	1	1	2,5	2,5	2,5
Leiter mm ² max	2,5	2,5	2,5	6	6	6

Bals Elektrotechnik GmbH & Co. KG

D-57399 Kirchhundem - Albaum

phone: +49(0)2723/771-0 fax: +49(0)2723/771-177

email: info@bals.com www.bals.com

date: 02.02.2015