

# Rubber Distributor







We live in a fast-moving time. It is also frequently necessary to make modifications to power distribution systems. Power distributors used in industrial buildings, production facilities, laboratories, harbour docks, markets, tunnel, road construction sites and many other locations therefore frequently need to be adapted to their external conditions. In extreme applications, these distribution systems are often exposed to very harsh environmental conditions. That's where the MODBOX® is the ideal solution. The patented MODBOX® Rubber Distributor Series combines all the demands placed on power distributors up to a maximum degree of protection of IP67.

When it comes to toughness, the MODBOX® leaves no wish unfulfilled. The material properties of the MODBOX® are unique: its robustness and resistance to ageing, temperature, oil and acid are unbeatable characteristics that can not be achieved by other

distributor housings. The MODBOX® is, of course, also fully insulated, UV-resistant and halogen-free as well as flame-resistant and self-extinguishing.

The truly innovative enclosure design allows existing installations to be adapted quickly. Order separation attachments are provided in the enclosure. This makes it easier to install strong-current and weak-current systems.

An outstanding feature is that MODBOX® units can be easily connected next to each as modules without any modifications needing to be made to the basic installation.

The MODBOX® is freely configurable. Four openings in the side of the MODBOX® allow modules to be added in any direction. Another feature are the yellow connecting and end corners. To further improve safety, the luminous end corners (luminescence time up to 7 hours) are recommended.

#### Technical Data

- Maximum Protection degree IP67
- MODBOX MIDI with user-friendly OTC operating window
- Modular expansion on all 4 sides possible
- Yellow end corners for increased safety
- Cover available on request with or without rain roof
- Hard Rubber mixture with hardness grade of 99 shore
- Corners and stability framework are made of cured glass-fibre-reinforced Polyamide
- Outer corners luminous on request
- Fully insulated

#### Material properties

- Impact-resistant
- UV-resistant
- Halogen-free
- Resistant to ageing, temperature, oil and acid
- Excellent resistance to chemicals
- Flame-resistant, self-extinguishing

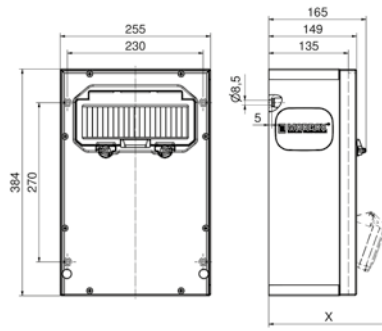


Technical information  
- Protection degree IP44

- Wired ready for connection

- All distributors comply with the DIN EN 61439 / IEC 61439

- Enclosure made of high-quality, impact-resistant solid rubber
- User-friendly OTC operating window
- Modular extension
- Hardness grade of 99 shore
- Resistant to ageing, temperature, oil and acid
- Excellent resistance to chemicals
- Flame-resistant, self-extinguishing
- Top section straight, CEE sockets angled
- All CEE sockets with screwless, maintenance-free QUICK-CONNECT technology
- Black top and bottom section with yellow end corners



Depth X (mm)

Component	IP44	IP67
OTC operating window	165	165
Domestic socket	152	195
CEE 16A 3p	190	190
CEE 16A 4p	194	192
CEE 16A 5p	197	195
CEE 32A 3p / 4p	201	203
CEE 32A 5p	203	204
CEE 63A 3p / 4p / 5p	219	221

30 MB 218

Ref. no. 5401882

Components:  
3 Domestic sockets 16A, 230V ~  
(type F - German standard)

Fuse:  
3 C-type MCBs 16A, 1p  
1 RCCB 40/0.03A, 4p

Cable entry at top and bottom:  
each with 2x M40

Connection option:  
for 2 cables up to 5 x 25 mm<sup>2</sup>

with RCCB B type: 5402775



Ref. no. 5401884

Components:  
6 Domestic sockets 16A, 230V ~  
(type F - German standard)

Fuse:  
6 C-type MCBs 16A, 1p  
1 RCCB 40/0.03A, 4p

Cable entry at top and bottom:  
each with 2x M40

Connection option:  
for 2 cables up to 5 x 25 mm<sup>2</sup>

with RCCB B type: 5402776



Ref. no. 5401886

Components:  
2 Domestic sockets 16A, 230V ~  
(type F - German standard)  
1 CEE socket 16A, 400V, 5p

Fuse:  
2 C-type MCBs 16A, 1p  
1 C-type MCB 16A, 3p  
1 RCCB 40/0.03A, 4p

Cable entry at top and bottom:  
each with 2x M40

Connection option:  
for 2 cables up to 5 x 25 mm<sup>2</sup>

with RCCB B type: 5402510



Ref. no. 5401892

Components:  
2 Domestic sockets 16A, 230V ~  
(type F - German standard)  
1 CEE socket 16A, 400V, 5p  
1 CEE socket 32A, 400V, 5p

Fuse:  
2 C-type MCBs 16A, 1p  
1 C-type MCB 16A, 3p  
1 RCCB 40/0.03A, 4p

Cable entry at top and bottom:  
each with 2x M40

Connection option:  
for 2 cables up to 5 x 25 mm<sup>2</sup>

with RCCB B type: 5402777



Ref. no. 5401894

Components:  
3 Domestic sockets 16A, 230V ~  
(type F - German standard)  
2 CEE sockets 16A, 400V, 5p

Fuse:  
3 C-type MCBs 16A, 1p  
2 C-type MCBs 16A, 3p

Cable entry at top and bottom:  
each with 2x M40

Connection option:  
for 2 cables up to 5 x 25 mm<sup>2</sup>



Ref. no. 5402794

Components:  
2 Domestic sockets 16A, 230V ~  
(type F - German standard)  
1 CEE socket 16A, 400V, 5p  
1 CEE socket 32A, 400V, 5p  
1 double data socket RJ45 CAT6a IP55

Fuse:  
2 C-type MCBs 16A, 1p  
1 C-type MCB 16A, 3p  
1 RCCB 40/0.03A, 4p

Cable entry at top and bottom:  
each with 2 x M20 and 2x M32

Connection option:  
for 2 cables up to 5 x 25 mm<sup>2</sup>

with RCCB B type: 5402797



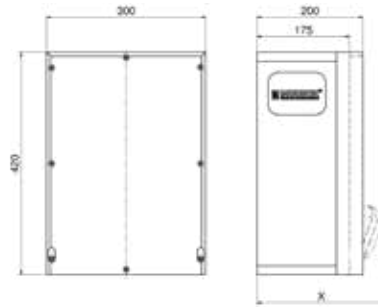
## Technical information

- Protection degree IP44

- Wired ready for connection

- All distributors comply with the DIN EN 61439 / IEC 61439

- Enclosure made of high-quality, impact-resistant solid rubber
- Modular extension
- Hardness grade of 99 shore
- Resistant to ageing, temperature, oil and acid
- Excellent resistance to chemicals
- Flame-resistant, self-extinguishing
- Top section straight, CEE sockets angled
- All CEE sockets with screwless, maintenance-free QUICK-CONNECT technology
- Black top and bottom section with yellow end corners



## Depth X (mm)

Component	IP44	IP67
Domestic socket	192	235
CEE 16A 3p	230	230
CEE 16A 4p	234	232
CEE 16A 5p	237	235
CEE 32A 3p / 4p	241	243
CEE 32A 5p	243	244
CEE 63A 3p / 4p / 5p	259	261

13 MB 109

## Ref. no. 5401455

## Components:

 3 Domestic sockets 16A, 230V ~  
 (type F - German standard)  
 2 CEE sockets 16A, 400V, 5p

## Fuse:

 3 C-type MCBs 16A, 1p  
 2 C-type MCBs 16A, 3p  
 1 RCCB 40/0.03A, 4p

 Cable entry at top and bottom:  
 each with 2x M40

 Connection option:  
 for 2 cables up to 5 x 25 mm<sup>2</sup>

with RCCB B type: 5402778



## Ref. no. 5401567

## Components:

 3 Domestic sockets 16A, 230V ~  
 (type F - German standard)  
 2 CEE sockets 32A, 400V, 5p

## Fuse:

 3 C-type MCBs 16A, 1p  
 2 C-type MCBs 32A, 3p  
 1 RCCB 63/0.03A, 4p

 Cable entry at top and bottom:  
 each with 2x M40

 Connection option:  
 for 2 cables up to 5 x 25 mm<sup>2</sup>

with RCCB B type: 5402779



## Ref. no. 5401343

## Components:

 3 Domestic sockets 16A, 230V ~  
 (type F - German standard)  
 1 CEE socket 16A, 400V, 5p  
 1 CEE socket 32A, 400V, 5p

## Fuse:

 3 C-type MCBs 16A, 1p  
 1 C-type MCB 16A, 3p  
 1 C-type MCB 32A, 3p  
 1 RCCB 40/0.03A, 4p

 Cable entry at top and bottom:  
 each with 2x M40

 Connection option:  
 for 2 cables up to 5 x 16 mm<sup>2</sup>

with RCCB B type: 5402438



## Ref. no. 5401668

## Components:

 3 Domestic sockets 16A, 230V ~  
 (type F - German standard)  
 1 CEE socket 16A, 400V, 5p  
 1 CEE socket 32A, 400V, 5p

## Fuse:

 3 Neozed D01, 1p  
 1 Neozed D01, 3p  
 1 RCCB 40/0.03A, 4p

 Cable entry at top and bottom:  
 each with 2x M40

 Connection option:  
 for 2 cables up to 5 x 25 mm<sup>2</sup>

with RCCB B type: 5402780



## Ref. no. 5401662

## Components:

 3 Domestic sockets 16A, 230V ~  
 (type F - German standard)  
 1 CEE socket 16A, 400V, 5p  
 1 CEE socket 32A, 400V, 5p

## Fuse:

 3 Neozed D01, 1p  
 1 Neozed D01, 3p  
 1 Neozed D02, 3p

 Cable entry at top and bottom:  
 each with 2x M40

 Connection option:  
 for 2 cables up to 5 x 25 mm<sup>2</sup>


## Ref. no. 5402044

## Components:

 2 Domestic sockets 16A, 230V ~  
 (type F - German standard)  
 2 CEE sockets 32A, 400V, 5p

## Fuse:

 2 C-type MCBs 16A, 1p  
 2 C-type MCBs 32A, 3p  
 1 RCCB 63/0.03A, 4p

 Cable entry at top and bottom:  
 each with 2x M40

 Connection option:  
 for 2 cables up to 5 x 25 mm<sup>2</sup>

with RCCB B type: 5402781



Technical information  
- Protection degree IP44

- Wired ready for connection

- All distributors comply with the DIN EN 61439 / IEC 61439

**Ref. no. 5401302**

Components:  
2 Domestic sockets 16A, 230V ~  
(type F - German standard)  
1 CEE socket 16A, 400V, 5p  
1 CEE socket 32A, 400V, 5p

Fuse:  
2 C-type MCBs 16A, 1p  
1 C-type MCB 16A, 3p  
1 C-type MCB 32A, 3p  
1 RCCB 40/0.03A, 4p

Cable entry at top and bottom:  
each with 2x M40

Connection option:  
for 2 cables up to 5 x 25 mm<sup>2</sup>

with RCCB B type: 5402511



**Ref. no. 5402046**

Components:  
3 Domestic sockets 16A, 230V ~  
(type F - German standard)  
1 CEE socket 16A, 230V, 3p  
1 CEE socket 16A, 400V, 5p

Fuse:  
3 C-type MCBs 16A, 1p  
1 C-type MCB 16A, 1p  
1 C-type MCB 16A, 3p  
1 RCCB 40/0.03A, 4p

Cable entry at top and bottom:  
each with 2x M40

Connection option:  
for 2 cables up to 5 x 25 mm<sup>2</sup>

with RCCB B type: 5402782



**Ref. no. 5401453**

Components:  
4 Domestic sockets 16A, 230V ~  
(type F - German standard)  
1 CEE socket 16A, 400V, 5p  
1 CEE socket 32A, 400V, 5p

Fuse:  
2 C-type MCBs 16A, 1p  
1 C-type MCB 16A, 3p  
1 C-type MCB 32A, 3p  
1 RCCB 63/0.03A, 4p

Cable entry at top and bottom:  
each with 2x M40

Connection option:  
for 2 cables up to 5 x 25 mm<sup>2</sup>

with RCCB B type: 5402783



**Ref. no. 5402795**

Components:  
2 Domestic sockets 16A, 230V ~  
(type F - German standard)  
1 CEE socket 16A, 400V, 5p  
1 CEE socket 32A, 400V, 5p  
2 RJ45 CAT6a below operating window

Fuse:  
2 C-type MCBs 16A, 1p  
1 C-type MCB 16A, 3p  
1 C-type MCB 32A, 3p  
1 RCCB 40/0.03A, 4p

Cable entry at top and bottom:  
each with 2x M20 and 2x M40

Connection option:  
for 2 cables up to 5 x 25 mm<sup>2</sup>

with RCCB B type: 5402796



**Ref. no. 5402047**

Components:  
4 Domestic sockets 16A, 230V ~  
(type F - German standard)  
1 CEE socket 16A, 400V, 5p  
1 CEE socket 32A, 400V, 5p

Fuse:  
4 C-type MCBs 16A, 1p  
1 C-type MCB 16A, 3p  
1 C-type MCB 32A, 3p

Cable entry at top and bottom:  
each with 2x M40

Connection option:  
for 2 cables up to 5 x 25 mm<sup>2</sup>



**Ref. no. 5401274**

Components:  
2 Domestic sockets 16A, 230V ~  
(type F - German standard)  
1 CEE socket 16A, 400V, 5p  
1 CEE socket 32A, 400V, 5p

Fuse:  
2 C-type MCBs 16A, 1p  
1 C-type MCB 16A, 3p  
1 C-type MCB 32A, 3p  
1 RCCB 63/0.03A, 4p

Cable entry at top and bottom:  
each with 2x M40

Connection option:  
for 2 cables up to 5 x 25 mm<sup>2</sup>

with RCCB B type: 5402784



**Ref. no. 5402059**

Components:  
2 Domestic sockets 16A, 230V ~  
(type F - German standard)  
1 CEE socket 16A, 400V, 5p  
1 CEE socket 32A, 400V, 5p  
1 double data socket RJ45 CAT6a IP55

Fuse:  
2 C-type MCBs 16A, 1p  
1 C-type MCB 16A, 3p  
1 C-type MCB 32A, 3p  
1 RCCB 40/0.03A, 4p

Cable entry at top and bottom:  
each with 2x M20, 2x M40

Connection option:  
for 2 cables up to 5 x 25 mm<sup>2</sup>

with RCCB B type: 5402785



**Ref. no. 5402060**

Components:  
3 Domestic sockets 16A, 230V ~  
(type F - German standard)  
1 CEE socket 16A, 400V, 5p  
1 CEE socket 32A, 400V, 5p  
1 double data socket RJ45 CAT6a IP55

Fuse:  
3 C-type MCBs 16A, 1p  
1 C-type MCB 16A, 3p  
1 C-type MCB 32A, 3p  
1 RCCB 63/0.03A, 4p

Cable entry at top and bottom:  
each with 2x M20, 2x M40

Connection option:  
for 2 cables up to 5 x 16 mm<sup>2</sup>

with RCCB B type: 5402786



Technical information

- Protection degree IP67

- Wired ready for connection

- All distributors comply with the DIN EN 61439 / IEC 61439

Ref. no. 5402159

Components:  
4 Domestic sockets 16A, 230V ~  
(type F - German standard)

Fuse:  
4 C-type MCBs 16A, 1p  
1 RCCB 40/0.03A, 4p

Cable entry at bottom:  
1x M12, 2x M40

Connection option:  
for 2 cables up to 5 x 25 mm<sup>2</sup>

with RCCB B type: 5402787



Ref. no. 5402160

Components:  
3 Domestic sockets 16A, 230V ~  
(type F - German standard)  
1 CEE socket 16A, 400V, 5p

Fuse:  
3 C-type MCBs 16A, 1p  
1 C-type MCB 16A, 3p  
1 RCCB 40/0.03A, 4p

Cable entry at bottom:  
1x M12, 2x M40

Connection option:  
for 2 cables up to 5 x 25 mm<sup>2</sup>

with RCCB B type: 5402788



Ref. no. 5402161

Components:  
2 Domestic sockets 16A, 230V ~  
(type F - German standard)  
2 CEE sockets 16A, 400V, 5p

Fuse:  
2 C-type MCBs 16A, 1p  
2 C-type MCBs 16A, 3p  
1 RCCB 40/0.03A, 4p

Cable entry at bottom:  
1x M12, 2x M40

Connection option:  
for 2 cables up to 5 x 25 mm<sup>2</sup>

with RCCB B type: 5402789



Ref. no. 5402162

Components:  
2 Domestic sockets 16A, 230V ~  
(type F - German standard)  
1 CEE socket 16A, 400V, 5p  
1 CEE socket 32A, 400V, 5p

Fuse:  
2 C-type MCBs 16A, 1p  
1 C-type MCB 16A, 3p  
1 C-type MCB 32A, 3p  
1 RCCB 40/0.03A, 4p

Cable entry at bottom:  
1x M12, 2x M40

Connection option:  
for 2 cables up to 5 x 25 mm<sup>2</sup>

with RCCB B type: 5402618



Ref. no. 5402163

Components:  
2 Domestic sockets 16A, 230V ~  
(type F - German standard)  
1 CEE socket 16A, 400V, 5p  
1 CEE socket 32A, 400V, 5p

Fuse:  
2 C-type MCBs 16A, 1p  
1 C-type MCB 16A, 3p  
1 C-type MCB 32A, 3p  
1 RCCB 63/0.03A, 4p

Cable entry at bottom:  
1x M12, 2x M40

Connection option:  
for 2 cables up to 5 x 25 mm<sup>2</sup>

with RCCB B type: 5402790



Ref. no. 5402164

Components:  
2 Domestic sockets 16A, 230V ~  
(type F - German standard)  
2 CEE sockets 32A, 400V, 5p

Fuse:  
2 C-type MCBs 16A, 1p  
2 C-type MCBs 32A, 3p  
1 RCCB 63/0.03A, 4p

Cable entry at bottom:  
1x M12, 2x M40

Connection option:  
for 2 cables up to 5 x 25 mm<sup>2</sup>

with RCCB B type: 5402791



Ref. no. 5402165

Components:  
3 Domestic sockets 16A, 230V ~  
(type F - German standard)  
1 CEE socket 16A, 400V, 5p  
1 CEE socket 32A, 400V, 5p

Fuse:  
3 C-type MCBs 16A, 1p  
1 C-type MCB 16A, 3p  
1 C-type MCB 32A, 3p  
1 RCCB 63/0.03A, 4p

Cable entry at bottom:  
1x M12, 2x M40

Connection option:  
for 2 cables up to 5 x 25 mm<sup>2</sup>

with RCCB B type: 5402565



Ref. no. 5402166

Components:  
3 Domestic sockets 16A, 230V ~  
(type F - German standard)  
2 CEE sockets 16A, 400V, 5p

Fuse:  
3 C-type MCBs 16A, 1p  
2 C-type MCBs 16A, 3p  
1 RCCB 40/0.03A, 4p

Cable entry at bottom:  
1x M12, 2x M40

Connection option:  
for 2 cables up to 5 x 25 mm<sup>2</sup>

with RCCB B type: 5402792



# Rubber Distributor

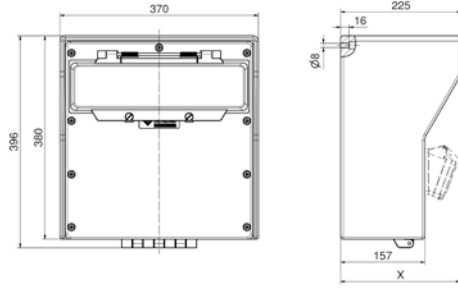
Solid-Rubber Enclosure, Surface Mounting

Technical information  
- Protection degree IP44

- Wired ready for connection

- All distributors comply with the DIN EN 61439 / IEC 61439

- Enclosure made of high-quality, impact-resistant solid rubber
- Space for up to 18 modules under operating window
- Hardness grade of 97 shore
- Hinged lid
- Resistant to ageing, temperature, oil and acid
- Flame-resistant, self-extinguishing
- All CEE sockets with screwless, maintenance-free QUICK-CONNECT technology



13 MB 117

### Depth X (mm)

Component	IP44	IP67	Component	IP44	IP67
Domestic socket	172	215	CEE 32A 3p / 4p	221	223
CEE 16A 3p	210	210	CEE 32A 5p	223	224
CEE 16A 4p	214	212	CEE 63A 3p / 4p / 5p	239	241
CEE 16A 5p	217	215			

### Ref. no. 5402049

Components:  
4 Domestic sockets 16A, 230V ~  
(type F - German standard)  
2 CEE sockets 16A, 400V, 5p  
1 CEE socket 32A, 400V, 5p

Fuse:  
4 C-type MCBs 16A, 1p  
2 C-type MCBs 16A, 3p  
1 C-type MCB 32A, 3p  
1 RCCB 63/0.03A, 4p

Cable entry at top and bottom:  
each with 2x M40

Connection option:  
for 2 cables up to 5 x 25 mm<sup>2</sup>

with RCCB B type: 5402633



### Ref. no. 5402050

Components:  
4 Domestic sockets 16A, 230V ~  
(type F - German standard)  
2 CEE sockets 16A, 400V, 5p  
1 CEE socket 32A, 400V, 5p

Fuse:  
4 C-type MCBs 16A, 1p  
2 C-type MCBs 16A, 3p  
1 C-type MCB 32A, 3p

Cable entry at top and bottom:  
each with 2x M40

Connection option:  
for 2 cables up to 5 x 25 mm<sup>2</sup>



### Ref. no. 5402051

Components:  
2 Domestic sockets 16A, 230V ~  
(type F - German standard)  
1 CEE socket 16A, 400V, 5p  
1 CEE socket 32A, 400V, 5p  
1 CEE socket 63A, 400V, 5p

Fuse:  
2 C-type MCBs 16A, 1p  
1 C-type MCB 16A, 3p  
1 C-type MCB 32A, 3p  
1 Neozed D02, 3p  
1 RCCB 63/0.03A, 4p

Cable entry at top and bottom:  
each with 2x M40

Connection option:  
for 2 cables up to 5 x 25 mm<sup>2</sup>



### Ref. no. 5402052

Components:  
4 Domestic sockets 16A, 230V ~  
(type F - German standard)  
1 CEE socket 16A, 400V, 5p  
1 CEE socket 32A, 400V, 5p  
1 CEE socket 63A, 400V, 5p

Fuse:  
4 C-type MCBs 16A, 1p  
1 C-type MCB 16A, 3p  
1 C-type MCB 32A, 3p  
1 RCCB 63/0.03A, 4p

Cable entry at top and bottom:  
each with 2x M40

Connection option:  
for 2 cables up to 5 x 25 mm<sup>2</sup>

with RCCB B type: 5402634



### Ref. no. 5402053

Components:  
4 Domestic sockets 16A, 230V ~  
(type F - German standard)  
1 CEE socket 16A, 400V, 5p  
1 CEE socket 32A, 400V, 5p  
1 CEE socket 63A, 400V, 5p

Fuse:  
4 C-type MCBs 16A, 1p  
1 C-type MCB 16A, 3p  
1 C-type MCB 32A, 3p

Cable entry at top and bottom:  
each with 2x M40

Connection option:  
for 2 cables up to 5 x 25 mm<sup>2</sup>



### Ref. no. 5402054

Components:  
2 Domestic sockets 16A, 230V ~  
(type F - German standard)  
1 CEE socket 16A, 400V, 5p  
1 CEE socket 32A, 400V, 5p  
1 CEE socket 63A, 400V, 5p

Fuse:  
2 Neozed D01, 1p  
1 Neozed D01, 3p  
2 Neozed D02, 3p

Cable entry at top and bottom:  
each with 2x M50

Connection option:  
for 2 cables up to 5 x 25 mm<sup>2</sup>





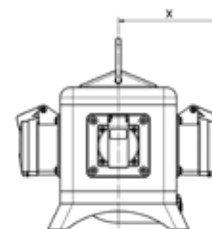
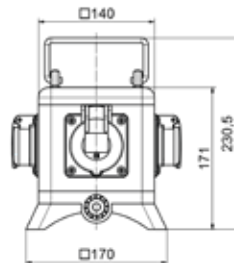
Technical information

- Protection degree IP44

- Wired ready for connection

- All distributors comply with the DIN EN 61439 / IEC 61439

- Enclosure made of high-quality, impact-resistant solid rubber
- Small, compact design
- Top and bottom in signal yellow
- Handle made of stainless steel



13 MB 123

Depth X (in mm)

Component	IP44	IP67
Operating window	90	
Domestic socket	98,5	114
CEE 16A 3p	121	127
CEE 16A 4p	123	128

Component	IP44	IP67
CEE 16A 5p	127	130
CEE 32A 3p / 4p	130	135
CEE 32A 5p	139	139

Ref. no. 576086

Components:  
1 CEE socket 16A, 400V, 5p  
1 electricity meter 10/65A

Cable entry/inlet:  
CEE plug 16A, 400V, 5p with  
lead 2 m H07RN-F5G1,5



Ref. no. 57148

Components:  
2 Domestic sockets 16A, 230V ~  
(type F - German standard)  
2 CEE sockets 16A, 400V, 5p

Cable entry/inlet:  
CEE plug 16A, 400V, 5p with  
lead 2 m H07RN-F5G2,5



Ref. no. 57623

Components:  
4 Domestic sockets 16A, 230V ~  
(type F - German standard)

Cable entry/inlet:  
Domestic plug 16A, 230V, 3p  
4 m cable H07RN-F3G2,5



Ref. no. 57996

Components:  
2 Domestic sockets 16A, 230V ~  
(type F - German standard)  
1 CEE socket 16A, 400V, 5p  
1 rotary field measuring device

Fuse:  
1 RCCB 40/0.03A, 4p

Cable entry/inlet:  
CEE phase inverter 16A, 400V, 5p with  
lead 2 m H07RN-F5G2,5



Ref. no. 57255

Components:  
2 Domestic sockets 16A, 230V ~  
(type F - German standard)  
1 CEE socket 16A, 400V, 5p

Fuse:  
1 RCCB 40/0.03A, 4p

Cable entry/inlet:  
CEE plug 16A, 400V, 5p with  
lead 2 m H07RN-F5G2,5



Ref. no. 57143

Components:  
3 Domestic sockets 16A, 230V ~  
(type F - German standard)  
1 CEE socket 16A, 400V, 5p

Cable entry/inlet:  
CEE plug 16A, 400V, 5p with  
lead 2 m H07RN-F5G2,5



# Rubber Distributor

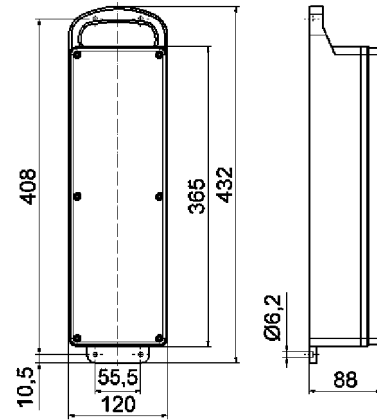
Solid-Rubber Enclosure, portable

Technical information  
 - Protection degree IP44

- Wired ready for connection

- All distributors comply with the DIN EN 61439 / IEC 61439

- Enclosure made of high-quality, impact-resistant solid rubber
- Ideally suited to tough, harsh and difficult conditions
- Convenient and compact design
- With moulded carrying handle



13 MB 7

## Ref. no. 530179

Components:  
 1 Domestic socket 16A, 230V ~  
 (type F - German standard)  
 1 CEE socket 16A, 400V, 5p  
 1 CEE socket 32A, 400V, 5p

Fuse:  
 1 C-type MCB 16A, 1p  
 1 C-type MCB 16A, 3p

Cable entry/inlet:  
 CEE plug 32A, 400V, 5p with  
 lead 1.8 m H07RN-F5G4



## Ref. no. 5310

Components:  
 3 CEE sockets 16A, 400V, 5p

Cable entry/inlet:  
 CEE plug 16A, 400V, 5p with  
 lead 1.8 m H07RN-F5G2,5



## Ref. no. 53141

Components:  
 4 Domestic sockets 16A, 230V ~  
 (type F - German standard)

Fuse:  
 1 RCCB 25/0.03A, 2p

Cable entry/inlet:  
 Domestic plug 16A, 230V, 3p with 2 m  
 lead H07RN-F3G2,5



## Ref. no. 53525

Components:  
 3 CEE sockets 32A, 400V, 5p

Cable entry/inlet:  
 CEE plug 32A, 400V, 5p with  
 lead 2 m H07RN-F5G4



## Ref. no. 53420

Components:  
 2 CEE sockets 16A, 400V, 5p

Fuse:  
 2 C-type MCBs 16A, 3p

Cable entry/inlet:  
 CEE plug 32A, 400V, 5p with  
 lead 2 m H07RN-F5G6



## Ref. no. 53290

Components:  
 4 Domestic sockets 16A, 230V ~  
 (type F - German standard)  
 1 CEE socket 16A, 400V, 5p

Cable entry/inlet:  
 CEE plug 16A, 400V, 5p with  
 lead 2 m H07RN-F5G2,5



Technical information

- Protection degree IP44

- Wired ready for connection

- All distributors comply with the DIN EN 61439 / IEC 61439

Ref. no. 530003

Components:  
2 Domestic sockets 16A, 230V ~  
(type F - German standard)  
1 CEE socket 16A, 400V, 5p

Fuse:  
2 C-type MCBs 16A, 1p  
1 RCCB 40/0.03A, 4p

Cable entry/inlet:  
CEE plug 16A, 400V, 5p with  
lead 2 m H07RN-F5G2,5



Ref. no. 530

Components:  
2 Domestic sockets 16A, 230V ~  
(type F - German standard)  
1 CEE socket 16A, 400V, 5p

Fuse:  
1 RCCB 40/0.03A, 4p

Cable entry/inlet:  
CEE plug 16A, 400V, 5p with  
lead 1.8 m H07RN-F5G2,5



Ref. no. 5311

Components:  
2 Domestic sockets 16A, 230V ~  
(type F - German standard)  
1 CEE socket 16A, 400V, 5p

Cable entry/inlet:  
CEE plug 16A, 400V, 5p with  
lead 1.8 m H07RN-F5G2,5



Ref. no. 5350

Components:  
3 Domestic sockets 16A, 230V ~  
(type F - German standard)

Cable entry/inlet:  
Domestic plug 16A, 230V, 3p  
with 2 m cable H07RN-F3G2,5



Ref. no. 53247

Components:  
6 Domestic sockets 16A, 230V ~  
(type F - German standard)

Cable entry/inlet:  
CEE plug 16A, 400V, 5p with  
lead 2 m H07RN-F5G2,5



Ref. no. 53213

Components:  
4 Domestic sockets 16A, 230V ~  
(type F - German standard)

Fuse:  
1 RCCB 40/0.03A, 4p

Cable entry/inlet:  
CEE plug 16A, 400V, 5p with  
lead 2 m H07RN-F5G2,5



Ref. no. 5321

Components:  
3 Domestic sockets 16A, 230V ~  
(type F - German standard)

Fuse:  
1 RCCB 40/0.03A, 4p

Cable entry/inlet:  
CEE plug 16A, 400V, 5p with  
lead 2 m H07RN-F5G2,5



Ref. no. 530321

Components:  
3 CEE sockets 16A, 400V, 5p

Fuse:  
1 RCCB 40/0.03A, 4p

Cable entry/inlet:  
CEE plug 16A, 400V, 5p with  
lead 2 m H07RN-F5G2,5



# Rubber Distributor

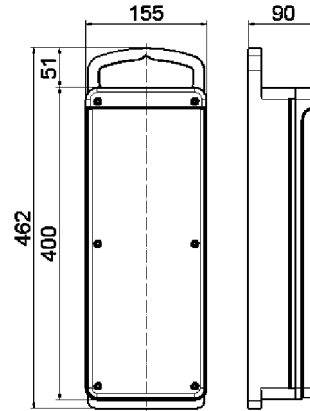
Solid-Rubber Enclosure, portable

Technical information  
 - Protection degree IP44

- Wired ready for connection

- All distributors comply with the DIN EN 61439 / IEC 61439

- Enclosure made of high-quality, impact-resistant solid rubber
- Ideally suited to tough, harsh and difficult conditions
- Convenient and compact design
- With moulded carrying handle



13 MB 54

## Ref. no. 53909

Components:  
 6 Domestic sockets 16A, 230V ~  
 (type F - German standard)

Fuse:  
 3 C-type MCBs 16A, 1p  
 1 RCCB 40/0.03A, 4p

Cable entry/inlet:  
 CEE plug 32A, 400V, 5p with  
 lead 2 m H07RN-F5G4



## Ref. no. 53681

Components:  
 6 Domestic sockets 16A, 230V ~  
 (type F - German standard)  
 1 CEE socket 16A, 400V, 5p

Fuse:  
 1 RCCB 40/0.03A, 4p

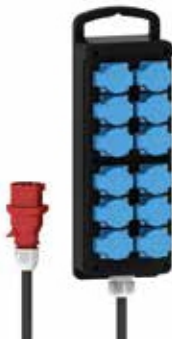
Cable entry/inlet:  
 CEE plug 16A, 400V, 5p with  
 lead 2 m H07RN-F5G2,5



## Ref. no. 53679

Components:  
 12 Domestic sockets 16A, 230V ~  
 (type F - German standard)

Cable entry/inlet:  
 CEE plug 16A, 400V, 5p with  
 lead 2 m H07RN-F5G2,5



## Ref. no. 530090

Components:  
 6 Domestic sockets 16A, 230V ~  
 (type F - German standard)  
 1 CEE socket 32A, 400V, 5p

Fuse:  
 3 C-type MCBs 16A, 1p  
 1 RCCB 40/0.03A, 4p

Cable entry/inlet:  
 CEE plug 32A, 400V, 5p with  
 lead 2 m H07RN-F5G4



## Ref. no. 530425

Components:  
 6 Domestic sockets 16A, 230V ~  
 (type F - German standard)  
 1 CEE socket 16A, 400V, 5p

Fuse:  
 3 C-type MCBs 16A, 1p  
 1 RCCB 40/0.03A, 4p

Cable entry/inlet:  
 CEE plug 16A, 400V, 5p with  
 lead 2 m H07RN-F5G2,5



## Ref. no. 530426

Components:  
 2 Domestic sockets 16A, 230V ~  
 (type F - German standard)  
 1 CEE socket 16A, 400V, 5p  
 1 CEE socket 32A, 400V, 5p

Fuse:  
 2 C-type MCBs 16A, 1p  
 1 C-type MCB 16A, 3p

Cable entry/inlet:  
 CEE plug 32A, 400V, 5p with  
 lead 2 m H07RN-F5G4



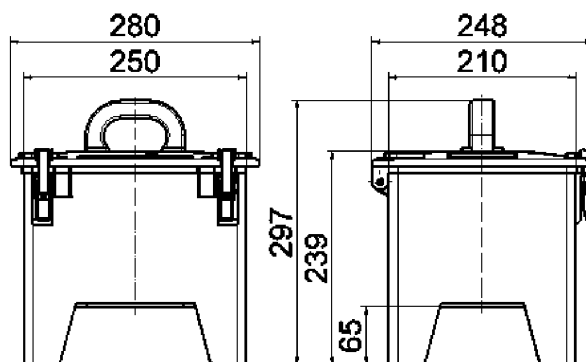
Technical information

- Protection degree IP44

- Wired ready for connection

- All distributors comply with the DIN EN 61439 / IEC 61439

- Enclosure made of high-quality, impact-resistant solid rubber
- Ideally suited to tough, harsh and difficult conditions
- Robust solid-rubber handle with hook for cable
- Lockable stainless-steel quick-release fasteners
- Hinged lid, user-friendly access to protective equipment
- Stackable, foot attachment on enclosure cover
- High rubber feet to avoid dirt at floor level



13 MB 43

Ref. no. 5226

Components:

- 4 Domestic sockets 16A, 230V ~ (type F - German standard)
- 2 CEE sockets 16A, 400V, 5p
- 1 CEE socket 32A, 400V, 5p

Fuse:

- 2 Neozed D01, 1p
- 2 Neozed D01, 3p

Cable entry/inlet:

CEE inlet 32A, 400V, 5p



Ref. no. 522590

Components:

- 6 Domestic sockets 16A, 230V ~ (type F - German standard)
- 2 CEE sockets 16A, 400V, 5p
- 1 CEE socket 32A, 400V, 5p
- 1 rotary field measuring device

Fuse:

- 3 C-type MCBs 16A, 1p
- 1 C-type MCB 16A, 3p
- 1 RCCB 40/0.03A, 4p

Cable entry/inlet:

CEE phase inverter 32A, 400V, 5p



Ref. no. 5201558

Components:

- 3 Domestic sockets 16A, 230V ~ (type F - German standard)
- 2 CEE sockets 16A, 400V, 5p
- 1 CEE socket 32A, 400V, 5p

Fuse:

- 3 C-type MCBs 16A, 1p
- 1 C-type MCB 16A, 3p
- 1 RCCB 40/0.03A, 4p

Cable entry/inlet:

CEE inlet 32A, 400V, 5p



Ref. no. 5201047

Components:

- 4 Domestic sockets 16A, 230V ~ (type F - German standard)
- 2 CEE sockets 16A, 400V, 5p
- 1 CEE socket 32A, 400V, 5p

Fuse:

- 4 C-type MCBs 16A, 1p
- 2 C-type MCBs 16A, 3p
- 1 RCCB 40/0.03A, 4p

Cable entry/inlet:

CEE inlet 32A, 400V, 5p



Ref. no. 522144

Components:

- 2 Domestic sockets 16A, 230V ~ (type F - German standard)
- 2 CEE sockets 16A, 400V, 5p
- 2 CEE sockets 32A, 400V, 5p

Fuse:

- 1 Neozed D01, 1p
- 1 Neozed D01, 3p

Cable entry/inlet:

CEE inlet 32A, 400V, 5p



Ref. no. 5201015

Components:

- 4 Domestic sockets 16A, 230V ~ (type F - German standard)
- 1 CEE socket 16A, 400V, 5p
- 1 CEE socket 32A, 400V, 5p

Fuse:

- 2 C-type MCBs 16A, 1p
- 1 C-type MCB 16A, 3p
- 1 RCCB 40/0.03A, 4p

Cable entry/inlet:

CEE plug 32A, 400V, 5p with lead 2 m H07RN-F5G4



Technical information  
- Protection degree IP44

- Wired ready for connection

- All distributors comply with the DIN EN 61439 / IEC 61439

## Ref. no. 5201926

### Components:

4 Domestic sockets 16A, 230V ~  
(type F - German standard)  
1 CEE socket 16A, 400V, 5p  
2 CEE sockets 32A, 400V, 5p

### Fuse:

2 C-type MCBs 16A, 1p  
1 C-type MCB 16A, 3p  
1 RCCB 40/0.03A, 4p

### Cable entry/inlet:

CEE plug 32A, 400V, 5p with  
3 m cable H07RN-F5G6



## Ref. no. 5202236

### Components:

3 Domestic sockets 16A, 230V ~  
(type F - German standard)  
2 CEE sockets 16A, 400V, 5p  
2 CEE sockets 32A, 400V, 5p

### Fuse:

3 C-type MCBs 16A, 1p  
2 C-type MCBs 16A, 3p  
1 RCCB 40/0.03A, 4p

### Cable entry/inlet:

CEE inlet 32A, 400V, 5p



## Ref. no. 5200568

### Components:

3 Domestic sockets 16A, 230V ~  
(type F - German standard)  
3 CEE sockets 32A, 400V, 5p

### Fuse:

3 C-type MCBs 16A, 1p  
1 RCCB 40/0.03A, 4p

### Cable entry/inlet:

CEE inlet 32A, 400V, 5p



## Ref. no. 524449

### Components:

4 Domestic sockets 16A, 230V ~  
(type F - German standard)  
2 CEE sockets 32A, 400V, 5p

### Fuse:

4 C-type MCBs 16A, 1p

### Cable entry/inlet:

CEE inlet 32A, 400V, 5p



## Ref. no. 5225

### Components:

4 Domestic sockets 16A, 230V ~  
(type F - German standard)  
2 CEE sockets 16A, 400V, 5p

### Cable entry/inlet:

CEE inlet 16A, 400V, 5p



## Ref. no. 5201004

### Components:

3 Domestic sockets 16A, 230V ~  
(type F - German standard)  
1 CEE socket 16A, 400V, 5p  
2 CEE sockets 32A, 400V, 5p

### Fuse:

3 C-type MCBs 16A, 1p  
1 C-type MCB 16A, 3p  
1 RCCB 40/0.03A, 4p

### Cable entry/inlet:

CEE inlet 32A, 400V, 5p



## Ref. no. 5200917

### Components:

4 Domestic sockets 16A, 230V ~  
(type F - German standard)  
1 CEE socket 16A, 400V, 5p  
1 CEE socket 32A, 400V, 5p

### Fuse:

2 C-type MCBs 16A, 1p  
1 C-type MCB 16A, 3p  
1 RCCB 40/0.03A, 4p

### Cable entry/inlet:

CEE inlet 32A, 400V, 5p



## Ref. no. 5202237

### Components:

3 Domestic sockets 16A, 230V ~  
(type F - German standard)  
2 CEE sockets 16A, 400V, 5p  
1 CEE socket 32A, 400V, 5p

### Fuse:

3 C-type MCBs 16A, 1p  
1 C-type MCB 16A, 3p  
1 RCCB 40/0.03A, 4p

### Cable entry/inlet:

CEE plug 32A, 400V, 5p with  
lead 3 m H07RN-F5G4



Technical information

- Protection degree IP44

- Wired ready for connection

- All distributors comply with the DIN EN 61439 / IEC 61439

Ref. no. 526

Components:  
5 Domestic sockets 16A, 230V ~  
(type F - German standard)  
2 CEE sockets 16A, 400V, 5p

Cable entry/inlet:  
CEE inlet 16A, 400V, 5p



Ref. no. 5202238

Components:  
4 Domestic sockets 16A, 230V ~  
(type F - German standard)  
1 CEE socket 16A, 400V, 5p  
2 CEE sockets 32A, 400V, 5p

Fuse:  
4 C-type MCBs 16A, 1p  
1 C-type MCB 16A, 3p  
1 RCCB 40/0.03A, 4p

Cable entry/inlet:  
CEE inlet 32A, 400V, 5p



Ref. no. 522143

Components:  
3 Domestic sockets 16A, 230V ~  
(type F - German standard)  
2 CEE sockets 16A, 400V, 5p  
1 CEE socket 32A, 400V, 5p

Fuse:  
3 Neozed D01, 1p  
1 Neozed D01, 3p  
1 RCCB 40/0.03A, 4p

Cable entry/inlet:  
CEE inlet 32A, 400V, 5p



Ref. no. 52638

Components:  
4 Domestic sockets 16A, 230V ~  
(type F - German standard)  
2 CEE sockets 16A, 400V, 5p

Fuse:  
1 RCCB 40/0.03A, 4p

Cable entry/inlet:  
CEE plug 16A, 400V, 5p with  
lead 2 m H07RN-F5G2,5



Ref. no. 5201555

Components:  
3 Domestic sockets 16A, 230V ~  
(type F - German standard)  
1 CEE socket 16A, 400V, 5p  
1 CEE socket 32A, 400V, 5p

Fuse:  
3 C-type MCBs 16A, 1p  
1 C-type MCB 16A, 3p  
1 RCCB 40/0.03A, 4p

Cable entry/inlet:  
CEE inlet 32A, 400V, 5p



Ref. no. 52480

Components:  
4 Domestic sockets 16A, 230V ~  
(type F - German standard)  
2 CEE sockets 16A, 400V, 5p

Fuse:  
1 RCCB 40/0.03A, 4p

Cable entry/inlet:  
CEE inlet 16A, 400V, 5p



Ref. no. 522589

Components:  
6 Domestic sockets 16A, 230V ~  
(type F - German standard)  
2 CEE sockets 16A, 400V, 5p  
1 rotary field measuring device

Fuse:  
3 C-type MCBs 16A, 1p  
1 RCCB 40/0.03A, 4p

Cable entry/inlet:  
CEE phase inverter 16A, 400V, 5p



Ref. no. 523291

Components:  
6 Domestic sockets 16A, 230V ~  
(type F - German standard)

Fuse:  
6 C-type MCBs 16A, 1p  
1 RCCB 40/0.03A, 4p

Cable entry/inlet:  
CEE plug 32A, 400V, 5p with  
lead 3 m H07RN-F5G4



# Rubber Distributor

Solid-Rubber Enclosure, portable

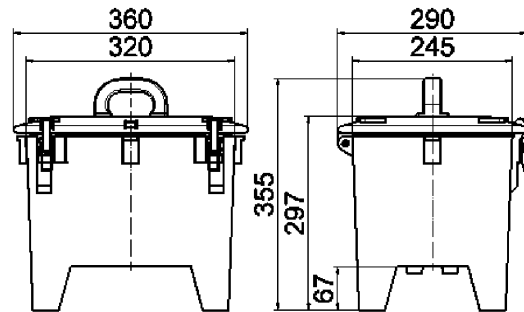
Technical information

- Protection degree IP44

- Wired ready for connection

- All distributors comply with the DIN EN 61439 / IEC 61439

- Enclosure made of high-quality, impact-resistant solid rubber
- Ideally suited to tough, harsh and difficult conditions
- Robust solid-rubber handle with hook for cable
- Lockable stainless-steel quick-release fasteners
- Hinged lid, user-friendly access to protective equipment
- Stackable, foot attachment on enclosure cover
- High rubber feet to avoid dirt at floor level



13 MB 36

Ref. no. 5202239

Components:

- 4 Domestic sockets 16A, 230V ~ (type F - German standard)
- 2 CEE sockets 16A, 400V, 5p
- 2 CEE sockets 32A, 400V, 5p

Fuse:

- 4 C-type MCBs 16A, 1p
- 2 C-type MCBs 16A, 3p
- 2 C-type MCBs 32A, 3p
- 1 RCCB 63/0.03A, 4p

Cable entry/inlet:

- CEE plug 63A, 400V, 5p with lead 2 m H07RN-F5G10



Ref. no. 5202240

Components:

- 4 Domestic sockets 16A, 230V ~ (type F - German standard)
- 1 CEE socket 16A, 400V, 5p
- 1 CEE socket 32A, 400V, 5p
- 1 CEE socket 63A, 400V, 5p

Fuse:

- 2 C-type MCBs 16A, 1p
- 1 C-type MCB 16A, 3p
- 1 C-type MCB 32A, 3p
- 1 RCCB 63/0.03A, 4p

Cable entry/inlet:

- CEE plug 63A, 400V, 5p with lead 3 m H07RN-F5G10



Ref. no. 524443

Components:

- 4 Domestic sockets 16A, 230V ~ (type F - German standard)
- 3 CEE sockets 16A, 400V, 5p
- 1 CEE socket 32A, 400V, 5p

Fuse:

- 2 Neozed D01, 1p
- 3 Neozed D01, 3p

Cable entry/inlet:

- CEE plug 32A, 400V, 5p with lead 3 m H07RN-F5G4



Ref. no. 522167

Components:

- 4 Domestic sockets 16A, 230V ~ (type F - German standard)
- 3 CEE sockets 16A, 400V, 5p
- 1 CEE socket 32A, 400V, 5p

Fuse:

- 2 Neozed D01, 1p
- 3 Neozed D01, 3p

Cable entry/inlet:

- CEE inlet 32A, 400V, 5p



Ref. no. 521828

Components:

- 4 Domestic sockets 16A, 230V ~ (type F - German standard)
- 4 CEE sockets 32A, 400V, 5p

Fuse:

- 4 Neozed D01, 1p
- 1 RCCB 40/0.03A, 4p

Cable entry/inlet:

- CEE inlet 32A, 400V, 5p



Ref. no. 5202241

Components:

- 4 Domestic sockets 16A, 230V ~ (type F - German standard)
- 1 CEE socket 16A, 400V, 5p
- 1 CEE socket 32A, 400V, 5p
- 1 CEE socket 63A, 400V, 5p

Fuse:

- 2 C-type MCBs 16A, 1p
- 1 C-type MCB 16A, 3p
- 1 C-type MCB 32A, 3p
- 1 RCCB 63/0.03A, 4p

Cable entry/inlet:

- CEE inlet 63A, 400V, 5p





Technical information

- Protection degree IP44

- Wired ready for connection

- All distributors comply with the DIN EN 61439 / IEC 61439

Ref. no. 524446

Components:  
4 Domestic sockets 16A, 230V ~  
(type F - German standard)  
1 CEE socket 16A, 400V, 5p  
1 CEE socket 32A, 400V, 5p  
1 CEE socket 63A, 400V, 5p

Fuse:  
2 Neozed D01, 1p  
1 Neozed D01, 3p  
1 Neozed D02, 3p  
1 RCCB 63/0.03A, 4p

Cable entry/inlet:  
CEE plug 63A, 400V, 5p with  
lead 3 m H07RN-F5G10



Ref. no. 5202242

Components:  
6 Domestic sockets 16A, 230V ~  
(type F - German standard)  
1 CEE socket 16A, 400V, 5p  
1 CEE socket 32A, 400V, 5p  
1 CEE socket 63A, 400V, 5p

Fuse:  
6 C-type MCBs 16A, 1p  
1 C-type MCB 16A, 3p  
1 C-type MCB 32A, 3p  
1 RCCB 63/0.03A, 4p

Cable entry/inlet:  
CEE plug 63A, 400V, 5p with  
lead 2 m H07RN-F5G16



Ref. no. 5202469

Components:  
6 Domestic sockets 16A, 230V ~  
(type F - German standard)  
1 CEE socket 16A, 400V, 5p  
1 CEE socket 32A, 400V, 5p  
1 CEE socket 63A, 400V, 5p

Fuse:  
6 C-type MCBs 16A, 1p  
1 C-type MCB 16A, 3p  
1 C-type MCB 32A, 3p  
1 RCCB 63/0.03A, 4p

Cable entry/inlet:  
CEE inlet 63A, 400V, 5p



Ref. no. 5202243

Components:  
8 Domestic sockets 16A, 230V ~  
(type F - German standard)  
1 CEE socket 16A, 400V, 5p  
1 CEE socket 32A, 400V, 5p

Fuse:  
4 C-type MCBs 16A, 1p  
1 C-type MCB 16A, 3p  
1 RCCB 40/0.03A, 4p

Cable entry/inlet:  
CEE plug 32A, 400V, 5p with  
lead 3 m H07RN-F5G4



Ref. no. 5202244

Components:  
8 Domestic sockets 16A, 230V ~  
(type F - German standard)  
1 CEE socket 16A, 400V, 5p  
1 CEE socket 32A, 400V, 5p

Fuse:  
4 C-type MCBs 16A, 1p  
1 C-type MCB 16A, 3p  
1 RCCB 40/0.03A, 4p

Cable entry/inlet:  
CEE inlet 32A, 400V, 5p



Ref. no. 5201003

Components:  
3 Domestic sockets 16A, 230V ~  
(type F - German standard)  
1 CEE socket 16A, 400V, 5p  
2 CEE sockets 32A, 400V, 5p  
1 CEE socket 63A, 400V, 5p

Fuse:  
3 C-type MCBs 16A, 1p  
1 C-type MCB 16A, 3p  
2 C-type MCBs 32A, 3p  
1 RCCB 63/0.03A, 4p

Cable entry/inlet:  
CEE inlet 63A, 400V, 5p



Ref. no. 5202245

Components:  
4 Domestic sockets 16A, 230V ~  
(type F - German standard)  
2 CEE sockets 16A, 400V, 5p  
2 CEE sockets 32A, 400V, 5p

Fuse:  
2 C-type MCBs 16A, 1p  
2 C-type MCBs 16A, 3p  
2 C-type MCBs 32A, 3p  
1 RCCB 63/0.03A, 4p

Cable entry/inlet:  
CEE plug 63A, 400V, 5p with  
lead 3 m H07RN-F5G10



Ref. no. 5202470

Components:  
4 Domestic sockets 16A, 230V ~  
(type F - German standard)  
2 CEE sockets 16A, 400V, 5p  
2 CEE sockets 32A, 400V, 5p

Fuse:  
2 C-type MCBs 16A, 1p  
2 C-type MCBs 16A, 3p  
2 C-type MCBs 32A, 3p  
1 RCCB 63/0.03A, 4p

Cable entry/inlet:  
CEE inlet 63A, 400V, 5p



# Rubber Distributor

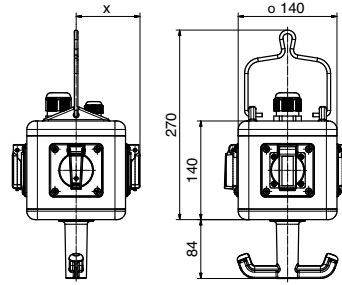
## Solid-Rubber Enclosure, Suspended Distributors

Technical information  
- Protection degree IP44

- Wired ready for connection

- All distributors comply with the DIN EN 61439 / IEC 61439

- Enclosure made of high-quality, impact-resistant solid rubber
- Small, compact design
- Variable configuration
- Fuse protection and data systems safely protected behind an operating window
- Top and bottom in signal yellow
- Hanging bracket made of V2A stainless steel
- Easy connection and disconnection of loads by means of knob or handle bracket
- Unproblematic connection of supply cable by means of specially developed clamping ring



13 MB 124

### Depth X (in mm)

Component	IP44	IP67	Component	IP44	IP67
Operating window	90		CEE 16A 5p	127	130
Domestic socket	98,5	114	CEE 32A 3p / 4p	130	135
CEE 16A 3p	121	127	CEE 32A 5p	139	139
CEE 16A 4p	123	128			

### Ref. no. 57092

Components:  
4 Domestic sockets 16A, 230V ~  
(type F - German standard)

Cable entry:  
1x M25

Connection option:  
for 1 cable up to 5 x 10 mm<sup>2</sup>



### Ref. no. 57076

Components:  
3 Domestic sockets 16A, 230V ~  
(type F - German standard)  
1 CEE socket 16A, 400V, 5p

Cable entry:  
1x M25

Connection option:  
for 1 cable up to 5 x 10 mm<sup>2</sup>



### Ref. no. 57078

Components:  
2 Domestic sockets 16A, 230V ~  
(type F - German standard)  
2 CEE sockets 16A, 400V, 5p

Cable entry:  
1x M25

Connection option:  
for 1 cable up to 5 x 10 mm<sup>2</sup>



### Ref. no. 57117

Components:  
2 Domestic sockets 16A, 230V ~  
(type F - German standard)  
2 CEE sockets 16A, 400V, 5p  
1 compressed air connection:  
Input: 1/2" pipe with external thread  
Output: 1/2" quick-release connector

Cable entry:  
1x M25

Connection option:  
for 1 cable up to 5 x 10 mm<sup>2</sup>



### Ref. no. 57116

Components:  
3 Domestic sockets 16A, 230V ~  
(type F - German standard)  
1 CEE socket 16A, 400V, 5p  
1 compressed air connection:  
Input: 1/2" pipe with external thread  
Output: 1/2" quick-release connector

Cable entry:  
1x M25

Connection option:  
for 1 cable up to 5 x 10 mm<sup>2</sup>



### Ref. no. 57119

Components:  
4 Domestic sockets 16A, 230V ~  
(type F - German standard)  
1 compressed air connection:  
Input: 1/2" pipe with external thread  
Output: 1/2" quick-release connector

Cable entry:  
1x M25

Connection option:  
for 1 cable up to 5 x 10 mm<sup>2</sup>



Technical information

- Protection degree IP44

- Wired ready for connection

- All distributors comply with the DIN EN 61439 / IEC 61439

Ref. no. 571121

Components:

3 Domestic sockets 16A, 230V ~  
(type F - German standard)  
1 CEE socket 16A, 400V, 5p  
1 compressed air connection  
Input: 1/2" hose connector NW 13 mm  
Output: 1/2" two-way quick-release  
connector

Cable entry:

2x M25 (2 circuits)

Connection option:

for 2 cables up to 5 x 10 mm<sup>2</sup>



Ref. no. 573395

Components:

3 Domestic sockets 16A, 230V ~  
(type F - German standard)  
4 data sockets RJ45/ Cat. 6

Cable entry:

1x M25, 1x M32

Connection option:

for 1 cable up to 5 x 10 mm<sup>2</sup>



Ref. no. 57829

Components:

2 Domestic sockets 16A, 230V ~  
(type F - German standard)  
1 CEE socket 16A, 400V, 5p

Protection:

1 RCCB 40/0.03A, 4p

Cable entry:

1x M25

Connection option:

for 1 cable up to 5 x 10 mm<sup>2</sup>



Ref. no. 57250

Components:

2 Domestic sockets 16A, 230V ~  
(type F - German standard)  
1 CEE socket 16A, 400V, 5p  
1 CEE socket 32A, 400V, 5p

Cable entry:

1x M25, 1x M32

Connection option:

for 2 cables up to 5 x 10 mm<sup>2</sup>



Ref. no. 576277

Components:

3 Domestic sockets 16A, 230V ~  
(type F - German standard)  
1 Overvoltage protection 230 LA

Cable entry:

1x M20

Connection option:

for 1 cable up to 5 x 10 mm<sup>2</sup>



Ref. no. 57074

Components:

4 CEE sockets 16A, 400V, 5p

Cable entry:

1x M25

Connection option:

for 1 cable up to 5 x 10 mm<sup>2</sup>



Ref. no. 571276

Components:

3 Domestic sockets 16A, 230V ~  
(type F - German standard)

Protection:

1 RCCB 40/0.03A, 4p

Cable entry:

1x M25

Connection option:

for 1 cable up to 5 x 10 mm<sup>2</sup>



Ref. no. 570531

Components:

2 Domestic sockets 16A, 230V ~  
(type F - German standard)  
1 CEE socket 16A, 400V, 5p  
1 empty space for data sockets

Cable entry:

2x M25

Connection option:

for 1 cable up to 5 x 10 mm<sup>2</sup>



# Rubber Distributor

## Solid-Rubber Enclosure, Suspended Distributors

Technical information  
- Protection degree IP44

- Wired ready for connection

- All distributors comply with the DIN EN 61439 / IEC 61439

### Ref. no. 573143

Components:  
3 Domestic sockets 16A, 230V ~  
(type F - German standard)  
2 RJ45 CAT6a below operating window,  
can be closed with the plugs plugged in

Cable entry:  
2x M25

Connection option:  
for 1 cable up to 5 x 10 mm <sup>2</sup>



### Ref. no. 572301

Components:  
3 Domestic sockets 16A, 230V ~  
(type F - German standard)  
2 Potential equalisation plug

Cable entry:  
1 x M16, 1 x M25

Connection option:  
for 1 cable up to 5 x 10 mm <sup>2</sup>



### Ref. no. 572238

Components:  
3 Domestic sockets 16A, 230V ~  
(type F - German standard)  
1 Emergency off

Cable entry:  
1 x M20, 1 x M25

Connection option:  
for 1 cable up to 5 x 10 mm <sup>2</sup>



### Ref. no. 570451

Components:  
4 Domestic sockets 16A, 230V ~  
(type F - German standard)

Protection:  
1 RCCB 40/0.03A, 4p

Cable entry:  
1x M20

Connection option:  
for 1 cable up to 5 x 10 mm <sup>2</sup>



### Ref. no. 576282

Components:  
4 Domestic sockets 16A, 230V ~  
(type F - German standard)  
2 RJ45 CAT6a below operating window,  
can be closed with the plugs plugged in

Cable entry:  
2 x M20  
1 x M25 with multiple sealing insert

Connection option:  
for 1 cable up to 5 x 10 mm <sup>2</sup>



### Ref. no. 573151

Components:  
6 Domestic sockets 16A, 230V ~  
(type F - German standard)  
2 RJ45 CAT6a below operating window,  
can be closed with the plugs plugged in

Cable entry:  
2x M25

Connection option:  
for 1 cable up to 5 x 10 mm <sup>2</sup>



### Ref. no. 57360

Components:  
3 Domestic sockets 16A, 230V ~  
(type F - German standard)  
1 empty space for data sockets

Cable entry:  
2x M25

Connection option:  
for 1 cable up to 5 x 10 mm <sup>2</sup>



### Ref. no. 571370

Components:  
2 Domestic sockets 16A, 230V ~  
(type F - German standard)  
with child protection  
2 Laboratory sockets yellow/green, earth  
potential

2 Laboratory sockets 2x blue and 2x red  
DC extra-low voltage

2 Laboratory sockets yellow, AC  
extra-low voltage

Cable entry:  
4x M20

Connection option:  
for 1 cable up to 3 x 10 mm <sup>2</sup>



### Cable gland

- Black
- Protection degree IP67



Thread	Sealing range	Ref. no.	
M12	3-6 mm	580647	
M20	8-13 mm	580648	
M25	11-17 mm	580649	
M32	15-21 mm	580650	
M40	19-28 mm	580651	
Multiple sealing insert	für M25	2x8 mm	580652
	für M32	4x8 mm	580653
Sealing plug for multiple sealing insert		581273	
Packaging unit 100 pieces			

### Cable gland with pressure equalisation

The use of pressure equalisation cable glands allows the internal pressure to adjust to the ambient pressure. The type-tested protection degree of the enclosure is fully retained. Temperature fluctuations, intense sunlight, or a sudden change in weather can cause condensation to form in combination enclosures. Basically, condensation can form in all sealed solid-rubber distributors. The higher the protection degree is, the more likely the formation of condensation will be.

We therefore recommend, especially in the case of distributors with protection degree IP67, the use of pressure equalisation cable glands.

- Minimised condensation formation and therefore reduction in downtimes and time-consuming and expensive repair work
- No expensive and high-maintenance ventilation technology required
- No drip holes which reduce the level of protection
- With air ducts for pressure equalisation
- Black
- Protection degree IP67



Thread	Sealing range	Ref. no.
M20	6-13 mm	580656
M25	9-17 mm	580657
M32	13-21 mm	580658
M40	16-28 mm	580659

### Mounting set

- MODBOX and MODBOX-Midi
- Consisting of:
  - 4 screws 6 x 60 mm
  - 4 screw anchors 8 x 51 mm

Ref. no. 580640



### Portable stand

- Hot-dip galvanised steel tubing
- Folding
- Weight 4 kg
- Dimensions: 350/570 x 780 x 540 mm (W x H x D)

Ref. no. 580721

- For MODBOX and MODBOX-Midi



### Order no. 580642

- For MODBOX-Midi OTC window
- With long shackle and 2 Keys

### Lock set



### Order no. 58037-BE

- For MODBOX operating window
- With locking cylinder and 2 Keys

### Power-Port floor-standing distributor without door

- Only for MODBOX-Midi
- Enclosure dimensions 1300 x 350 x 275 mm (H x W x D)
- Enclosure made of high-quality V2A stainless steel
- Ground metal surface
- Moveable panel for concealing cables
- Base plate suitable for pedestal mounting
- Available in different colours (optional)

Order no. 580589



### Power-Port floor-standing distributor with door

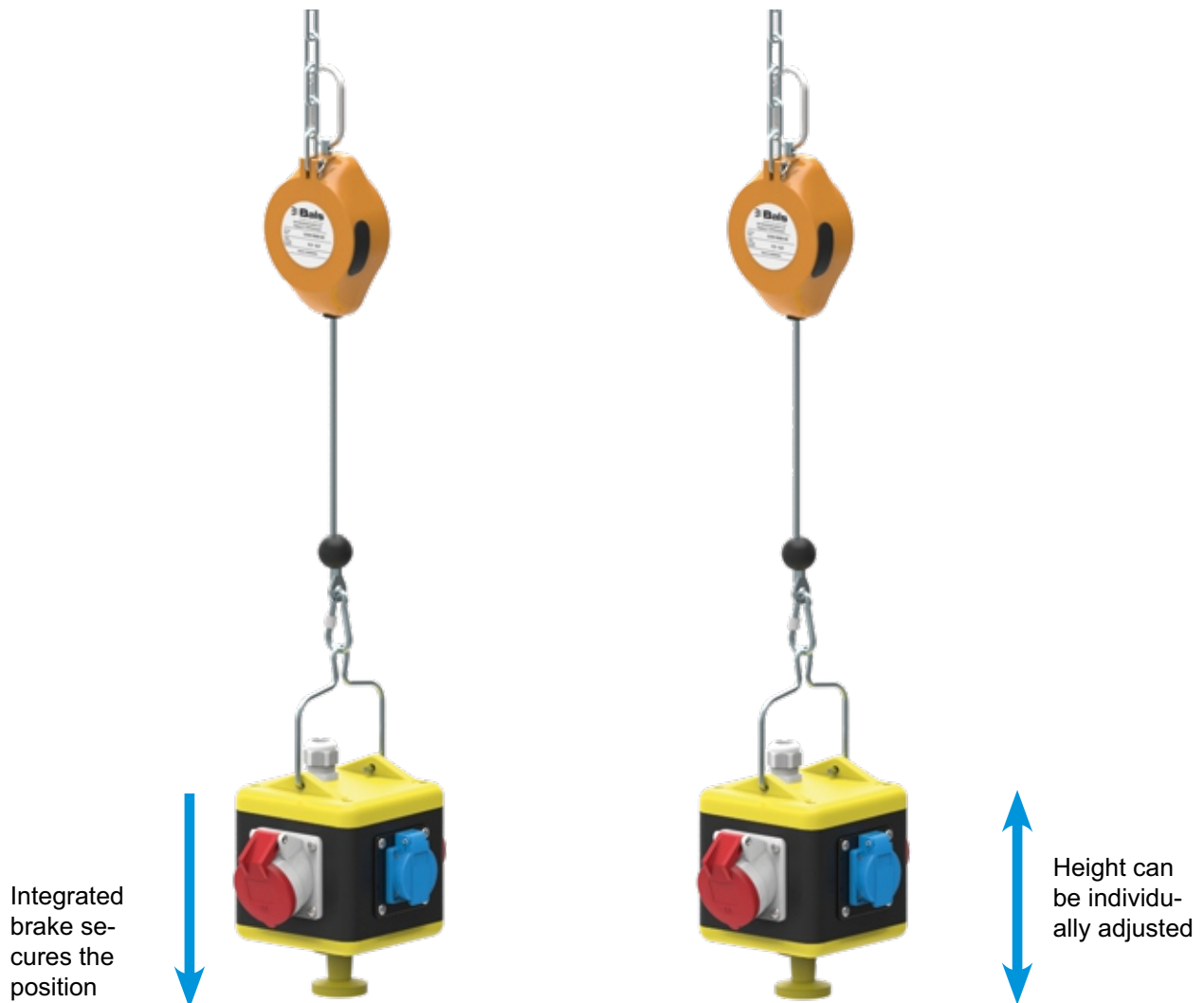
- Only for MODBOX-Midi
- Enclosure dimensions 1300 x 350 x 415 mm (H x W x D)
- Enclosure made of high-quality V2A stainless steel
- Ground metal surface
- Moveable panel for concealing cables
- Base plate suitable for pedestal mounting
- Door with box lock and single profile cylinder, internal hinges
- Brush seal prevents dirt and dust from entering when door is closed
- Available in different colours (optional)

Order no. 580508



# Positioners

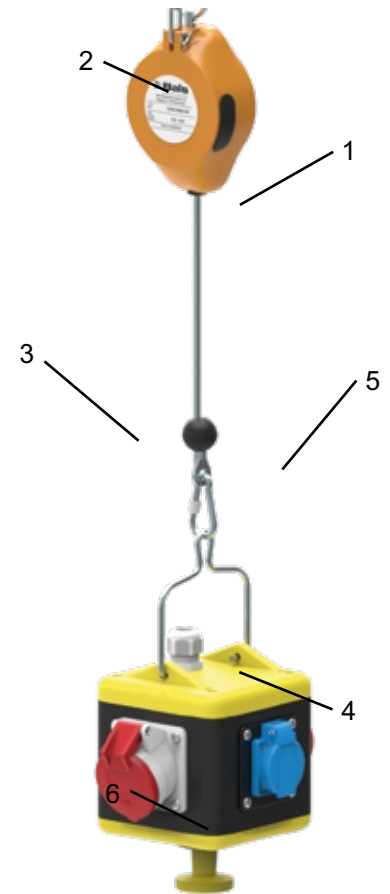
The positioner is an effective helper in the area of workplace ergonomics: it usually enables the simple, height-variable positioning of supply units. The smooth-running height adjustment facilitates an ergonomic provision of the power supply. The braking force can be simply adjusted using the adjustment screw located on the side. With this product, you can position the Bals power distributors even more easily and more flexibly in their application area. Simply lifting or pulling down is enough to individually adjust the height.



With the positioner, the risk of injury posed by hanging supply units is greatly minimised. Depending on the use, the height of the suspended unit can be conveniently varied. The integrated brake ensures that the position is securely held in place – even if the weight is changed, e.g., by plugging in or unplugging compressed air hoses. The housing, manufactured from a special plastic, is extremely impact resistant and is, thus, also suitable for use in very harsh production environments.



- 1 Safety suspension
- 2 Fall protection
- 3 Nameplate
- 4 Elastic cable stop buffer
- 5 Cover (adjustment screw for brake)
- 6 Load hook



**Version:**

Housing made of extremely impact-resistant special plastic Load attached via secure screw-type spring hook Braking force adjustable via adjustment screw located on the side

**Safety device:**

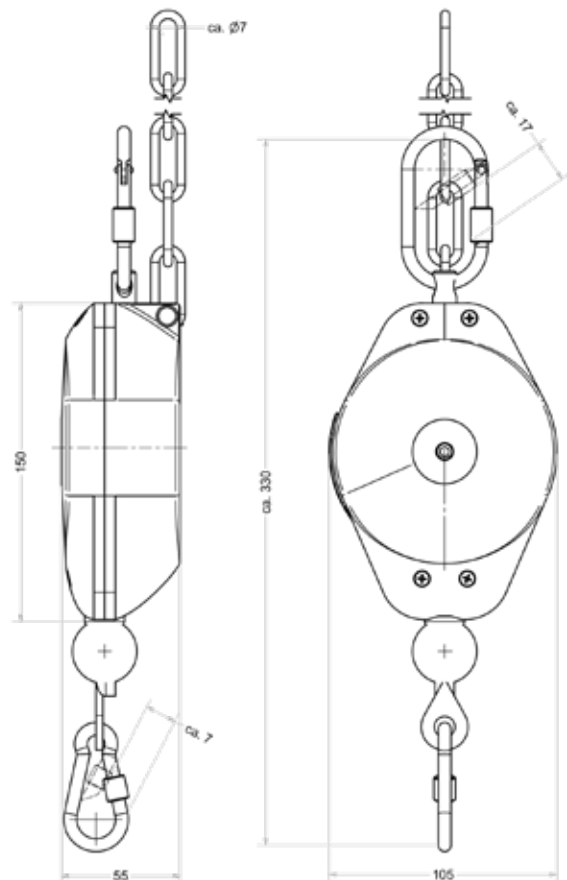
- Fall protection equipped as standard
- Riveted special spring for retracting the suspension rope
- Isolated suspension
- Very dimensionally stable construction

**Technical parameters:**

- Net weight: 0.8 kg
- Cable travel: 1.5 meters

Ref. No. 581433

- Braking force: 2.0 - 7.0 kg



■ made  
■ in  
■ Germany



Neptune India Limited: A-11, Sector 59,  
Noida, Uttar Pradesh- 110009, India  
Phone: 9555 500 300  
E-mail: [connect@neptuneautomatic.com](mailto:connect@neptuneautomatic.com)  
Website: [www.neptuneindia.com](http://www.neptuneindia.com)