

wall mounting socket outlet, switched, interlocked and fused

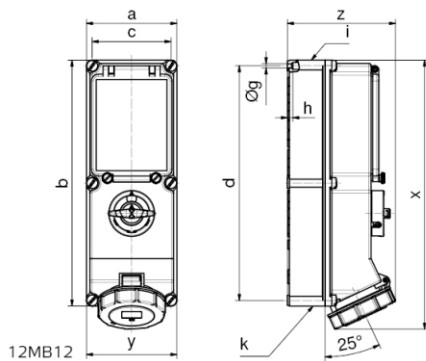


Product description	
BALS-Prd.-Nr	17387
EAN	4024941173872
Product group	Quick-Connect wall mounting socket outlet, switched, interlocked, fused
Current	16A
Number of poles	3p
Arrangement of the phases	2P+PE
Earth 'clock' position	6 h
Voltage	200 up to 250V

Product description	
Frequency	50 and 60Hz
Protection degree	IP67
Colour code	blue
Colour of appliance	Operating window smoky topaz, Hinged lid blue, Bayonet ring grey, Housing screws grey, Housing bottom grey, Housing top grey, Control knob grey
Connection design	screwless spring terminals as cage clamp with Kontext-contact
Maximum conductor size	4,0 qmm
Cable entry	1xM25/20 top, 1xM25/20 bottom
Height	390mm
Width	134mm
Depth	153mm
Dimension of enclosure	365x134 mm (HxW)
Material of enclosure	Polycarbonate
Contacts	The contact carrier is made of high temperature resistant material, the contacts are brass nickel plated

Additional technical information	
	The cable entry is one at top open, one at top is closed, and two at bottom are closed
	In 0-position lockable for 3 padlocks with bow diameter up to 7 mm
	With mounting rail, With mounting rail for 6 modules, vertical

Logistics data	
Weight/pcs	1.64 kg / Piece
Packaging	Carton
Content amount	1 ST
EAN	4024941173872
Length	387 mm
Width	222 mm
Height	150 mm
Weight	1.833 kg
Volume	11,029.5 ccm



Ampere Poles	16	16	32	32	63	63
a	134	134	134	134	180	180
b	365	365	365	365	460	460
c	117	117	117	117	160	160
d	348	348	348	348	440	440
Øg	6,5	6,5	6,5	6,5	8,3	8,3
h	8	8	8	8	6,5	6,5
i	M32/25	M32/25	M40/32	M40/32	M40	M40
k	M32/25	M32/25	M40/32	M40/32	M40/32	M40/32
x	390	390	400	400	503	503
y	134	134	134	134	180	180
z	153	153	154	161	192	192