



M5

(Multifunction Meter)

(HSN CODE-9028)



Features:

- Site programmable CT and PT ratio
- True RMS measurement
- Password protection
- Harmonic measurement (Voltage & Current)
- Autoranging
- Universal auxiliary supply
- RS 485 Communication Port

Advantages:

- To caution on the extra energy consumption
- To identify inefficiency of machine/man
- Reduce panel space, wiring, installation time

Applications:

- Control panel
- Distribution system
- Generator sets
- Motor control
- Test bench
- Energy management
- Process control & SCADA

Measuring Parameters

- V_{L-L} (individual/average)
- V_{L-N} (individual/average)
- Current (individual/average/neutral current)
- Power factor (individual/average)
- Phase angle
- Frequency
- Power
- Maximum demand: (kW, kVA)
- Peak maximum demand: (kW, kVA)
- Energy (active, reactive inductive, reactive capacitive, apparent)
- Total Harmonic Distortion (Voltage & Current)
- Neutral current (calculated)

Supply Voltage

Auxiliary supply	90-270 V AC/DC ($\pm 15\%$)
Frequency	50/60 Hz

Display

Display	4 rows of 4 digits (For parameter) LED display
Digit height	0.39" (9.9mm)
Display scrolling	Automatic/manual

Settable Parameters

C.T. primary	1/5A to 10000A (programmable)
C.T. secondary	1/5A (programmable)
P.T. ratio	Programmable upto 132 kV
Display reset	Energy

Output Specifications

Communication	RS 485
Relay Output	NA

Input Specifications

Electrical connection	3Ø-4 wire/1Ø-2 wire/3Ø- 3 wire
Input voltage range	5-500V AC (L-L)/5-300V (L-N)
Input current range	0.010A-6A AC Direct 60A
Optional frequency	45-65 Hz
Resolution	Energy 0.1 kWh
	Power factor: 0.001
	Frequency: 0.01 Hz
	Voltage: Autoranging
	Current: Autoranging
	Power: Autoranging

Accuracy	Voltage $\pm 0.5\%$ of F.S.
	Current $\pm 0.5\%$ of F.S.
	Power Factor $\pm 0.5\%$ of F.S.
	Frequency $\pm 0.1\%$ of F.S.
	Power (active, reactive and apparent): 1%
	Energy (active, reactive and apparent): Class 0.5

Burden	Voltage: 0.2 VA max. per input
	Current: 0.2 VA max. per input

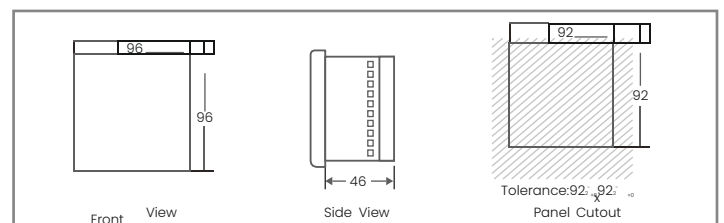
Environmental Specifications

Temperature	Operating : -10° to 55°C
	Storage : -20° to 75°C
Humidity	< 95% RH

Mechanical Specifications

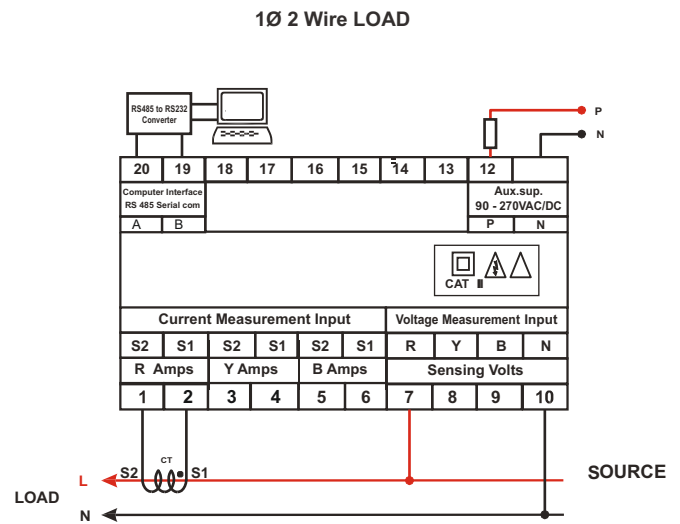
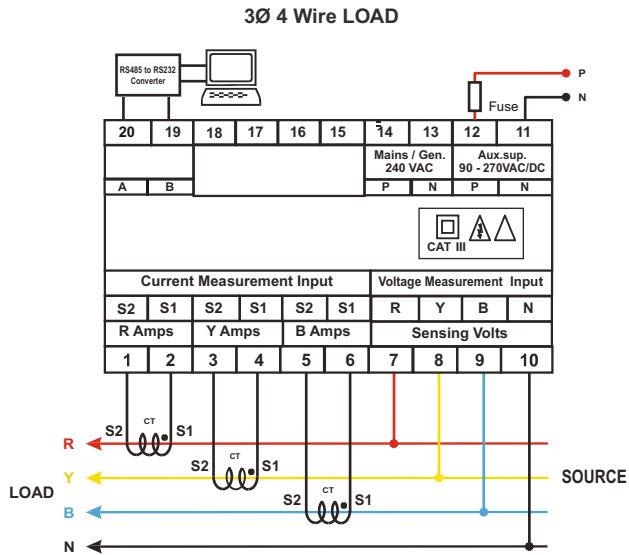
Mounting	Flush mounting with side clamps
Weight	350 g
Enclosure material	ABS Thermoplastic

Dimension



All dimensions are in mm, specifications are subjected to change without prior notice.

Connection Diagram



Ordering Information

Accessories		
Description	Code	Photo
for external CT of 60A programmed for single phase	60A-1P	
for external CT of 60A programmed for three phase	60A-3P	

Preference of accessories		
The above module to be mounted behind the meter		M
The above module to be supplied with Imeter long Leads		N
The above module to be supplied with long leads (any length on request)		NX.X

Neptune India Ltd.

A 11 - Sector 59, Noida - 201301, INDIA
 Tel: 0120 420 5900, 429 7900
 Email: enquiry@neptuneindia.com

