



M3

(Multifunction Meter)

(HSN CODE-9028)



Features:

- Site programmable CT and PT ratio
- True RMS measurement
- Password protection
- Harmonic measurement (Voltage & Current)
- Autoranging
- Universal auxiliary supply

Advantages:

- To caution on the extra energy consumption
- To identify inefficiency of machine/man
- Reduce panel space, wiring, installation time

Applications:

- Control panel
- Distribution system
- Generator sets
- Motor control
- Test bench
- Energy management
- Process control & SCADA

Measuring Parameters

- V_{L-L} (individual/average)
- V_{L-N} (individual/average)
- Current (individual/average/neutral current)
- Power factor (individual/average)
- Phase angle frequency power: (active, reactive and apparent)
- Maximum demand: (kW, kVA)
- Peak maximum demand: (kW, kVA)
- Energy (active, reactive inductive, reactive capacitive, apparent)
- Total Harmonic Distortion (Voltage & Current)
- Neutral current (calculated)

Supply Voltage

Auxiliary supply	90-270 V AC/DC ($\pm 15\%$)
Frequency	50/60 Hz

Display

Display	4 rows of 4 digits (For parameter) LED display
Digit height	0.39" (9.9mm)
Display scrolling	Automatic/manual

Settable Parameters

C.T. primary	1/5A to 10000A (programmable)
C.T. secondary	1/5A (programmable)
P.T. ratio	Programmable upto 132 kV
Display reset	Energy

Output Specifications

Communication	NA
Relay Output	NA

Input Specifications

Electrical connection	3Ø-4 wire/1Ø-2 wire/3Ø- 3 wire
Input voltage range	5-500V AC (L-L)/5-300V (L-N)
Input current range	0.010A-6A AC Direct 60A
Optional frequency	45-65 Hz
Resolution	Energy 0.1 kWh Power factor: 0.001 Frequency: 0.01 Hz Voltage: Autoranging Current: Autoranging Power: Autoranging
Accuracy	Voltage $\pm 0.5\%$ of F.S. Current $\pm 0.5\%$ of F.S. Power Factor $\pm 0.5\%$ of F.S. Frequency $\pm 0.1\%$ of F.S. Power (active, reactive and apparent): 1% Energy (active, reactive and apparent): Class 0.5

Burden	Voltage: 0.2 VA max. per input Current: 0.2 VA max. per input
--------	--

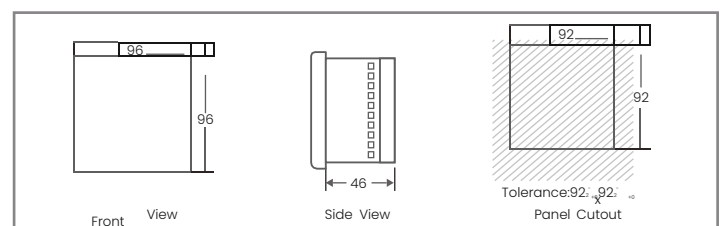
Environmental Specifications

Temperature	Operating : -10° to 55°C Storage : -20° to 75°C
Humidity	< 95% RH

Mechanical Specifications

Mounting	Flush mounting with side clamps
Weight	350 g
Enclosure material	ABS Thermoplastic

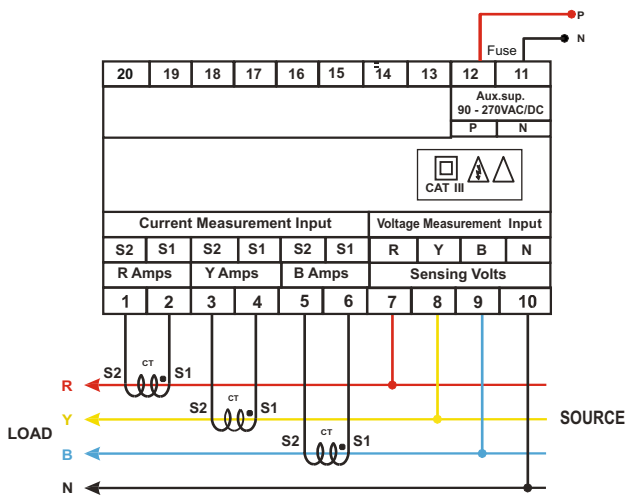
Dimension



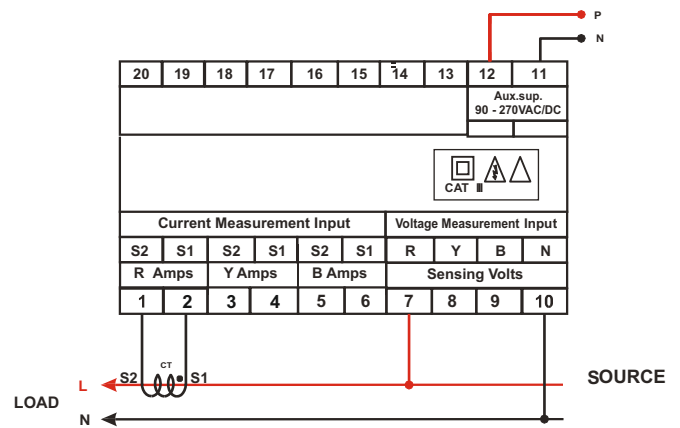
All dimensions are in mm, specifications are subjected to change without prior notice.

Connection Diagram

3Ø 4 Wire LOAD



1Ø 2 Wire LOAD



Ordering Information

Accessories		
Description	Code	Photo
for external CT of 60A programmed for single phase	60A-1P	
for external CT of 60A programmed for three phase	60A-3P	

Preference of accessories	
The above module to be mounted behind the meter	M
The above module to be supplied with Imeter long Leads	N
The above module to be supplied with long leads (any length on request)	NX.X

Neptune India Ltd.

A 11 - Sector 59, Noida - 201301, INDIA
 Tel: 0120 420 5900, 429 7900
 Email: enquiry@neptuneindia.com

