



M630

(Energy Meter)

(HSN CODE-9028)

Features:

- Single meter for different type of energy
- Measurement – DG/EB/Solar
- 32bit microcontroller with 24bit ADC for fast and high accuracy
- Upto 63A with inbuilt CT & German contact
- All electrical parameters with Total Harmonic measurements
- Real Time Clock (RTC) with inbuilt battery
- Communication – RS485/Optical IR/TCP IP/Wireless P2A/GPRS
- Protocol – Modbus/STF/DLMS (selectable)
- Load & line management
- In-built memory to record data upto 10 years 1 hrs resolution
- BIS certified to standard IS:13779 and confirms to IS:15884/16444
- Advance Dynamic Key Encryption (DKE) for load management and recharge

Advantages:

- Integrated Unit with inbuilt contact, communication and seal option
- Hassel free installation and very less space requirement
- Energy consumption behaviour & pattern analysis

Applications:

- Energy billing – Pre-paid/Post paid
- On Demand or schedule On/Off like Street Light control
- Energy Management
- Process Control

Measuring Parameters

- V_{L-L} (individual/average)
- V_{L-N} (individual/average)
- Current (individual/average)
- Power factor (individual/average)
- Frequency
- Power: (active, reactive and apparent)
- Maximum demand: (kW, kVA)
- Peak maximum demand: (kW, kVA)
- Energy (active, reactive inductive, reactive capacitive, apparent)
- Run hour (import, export and total)
- Total Harmonic Distortion : voltage and current
- Neutral current (calculated)
- Load management and line management

Supply Voltage

Auxiliary supply	90-270 V AC/DC ($\pm 15\%$)
Frequency	50/60 Hz

Display

Display	LCD display
Display scrolling	Automatic/manual

Settable Parameters

C.T. primary	63A to 10000A (fixed)
C.T. secondary	0.01A (fixed)
Load setting	40kW max, 13.3kW max per phase
Line setting	Phase selection on energy type

Output Specifications

Communication	RS485/Optical IR/TCP IP Wireless P2A/ GPRS
Relay Output	90A, 3relay upto 90A

Input Specifications

Electrical connection	3 \emptyset -4 wire/1 \emptyset -2 wire
Input voltage range	0-500V AC (L-L)/0-300V (L-N)
Input current range	0.01A-63A AC Direct 60A
Optional frequency	45-65 Hz
Resolution	Energy 0.1 kWh Power factor: 0.001 Frequency: 0.01 Hz Voltage: Autoranging Current: Autoranging Power: Autoranging
Accuracy	Voltage $\pm 0.5\%$ of F.S. Current $\pm 0.5\%$ of F.S. Power Factor $\pm 0.5\%$ of F.S. Frequency $\pm 0.1\%$ of F.S. Power (active, reactive and apparent): 1% Energy (active, reactive and apparent): Class 1

Burden	Voltage: 0.2 VA max. per input Current: 0.2 VA max. per input Aux. supply: 3 VA max.
--------	--

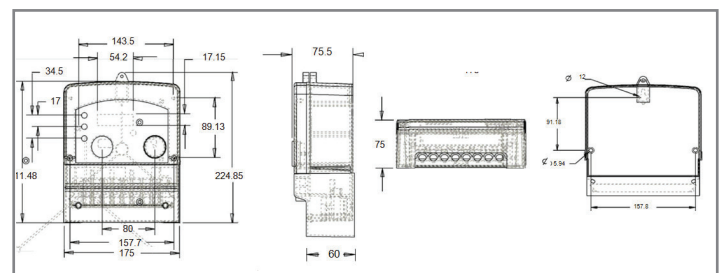
Environmental Specifications

Temperature	Operating : -10° to 55°C Storage : -20° to 75°C
Humidity	< 95% RH

Mechanical Specifications

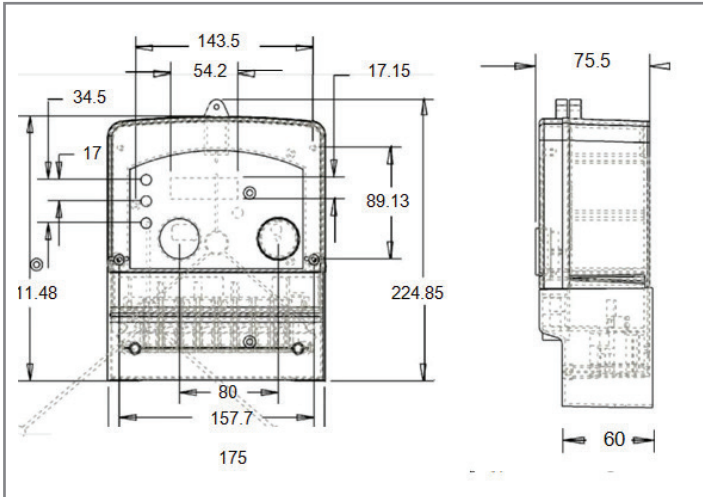
Mounting	Versa/Base Mounting with Side
Weight	610 g
Enclosure material	ABS Thermoplastic

Dimension

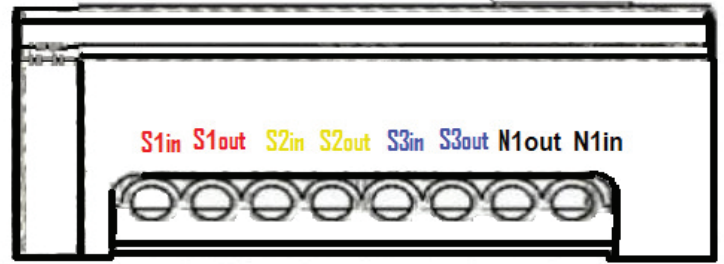


All dimensions are in mm, specifications are subjected to change without prior notice.

Dimension



Connection Diagram



Ordering Information

Code	Type of Module	Function
M630 3P1	Modbus/STF/DLMS	RS485
M630 3P2	Modbus/STF/DLMS	Optical IR
M630 3P3	Modbus/STF/DLMS	TCP IP
M630 3P4	Modbus/STF/DLMS	Wireless P2A
M630 3P5	Modbus/STF/DLMS	GPRS
M630 IP1	Modbus/STF/DLMS	RS485
M630 IP2	Modbus/STF/DLMS	RS Optical IR
M630 IP3	Modbus/STF/DLMS	TCPIP
M630 IP4	Modbus/STF/DLMS	Wireless P2A
M630 IP5	Modbus/STF/DLMS	GPRS

Neptune India Ltd.

A 11 - Sector 59, Noida - 201301, INDIA
 Tel: 0120 420 5900, 429 7900
 Email: enquiry@neptuneindia.com

