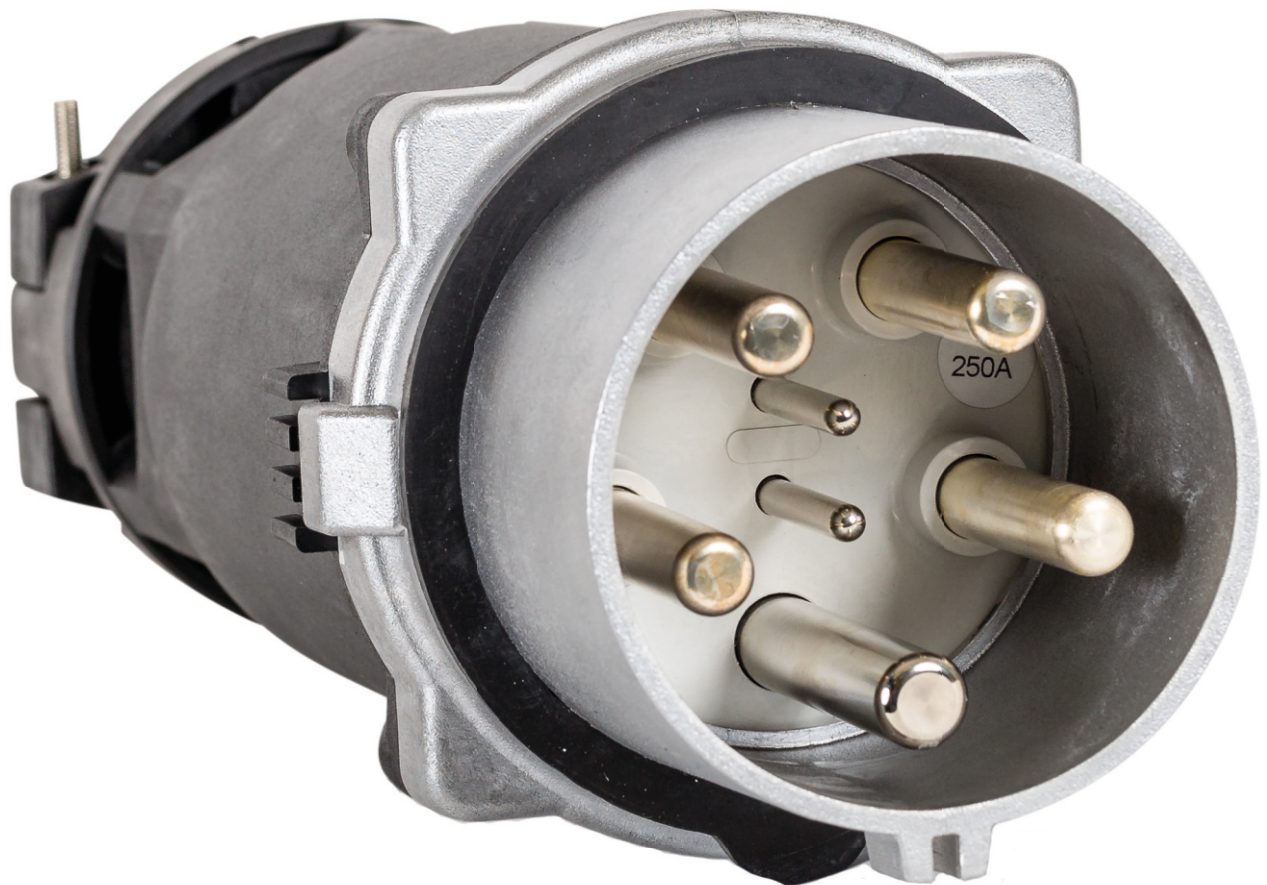


High current plugs and sockets



Product portfolio The right solution for every application

The product portfolio covers almost all applications in the defined high current range.



Devices rated 200A / 250A

The compact solutions have a robust plastic housing and are perfect for applications with limited space conditions as well as for certain industries (chemistry, food industry). Additional options allow use in a variety of applications.



Devices rated 315A / 400A

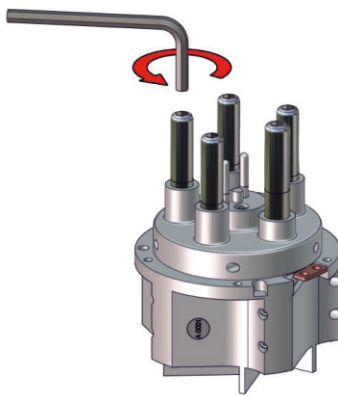
The robust solutions are ideal for applications (tunneling, mining), where high mechanical loads may arise. Furthermore, numerous options, such as the saltwater-resistant housing, make the devices also suitable for marine applications.



Devices units 200A - 400A

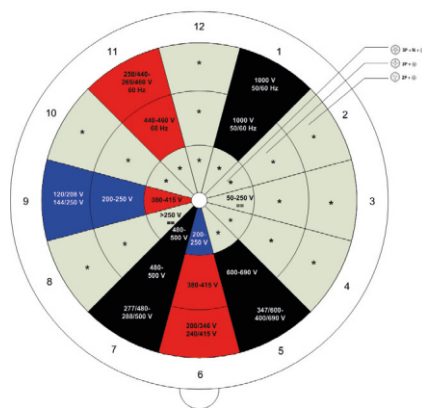
To ensure maximum safety for users, we offers special solutions units:

- Wall mounted sockets with mechanical interlock
- Wall mounted sockets with block contactor
- Wall mounted sockets with circuit breaker



Quick exchanging of contacts

In the case of most conventional devices, a time-consuming procedure is required to replace contact pins, since these are unnecessarily anchored. The contacts can be exchanged from the front with a simple and conventional hexagonal hex (allen key) wrench. Thus, users can avoid costly and time-consuming maintenance work.



Voltage coding

The arrangement of the earthing contact position and bushing to prevent wrong plugging of various voltages and frequencies is following the principles of EN 60309-2, ensuring user friendly coding and a big level of safety.

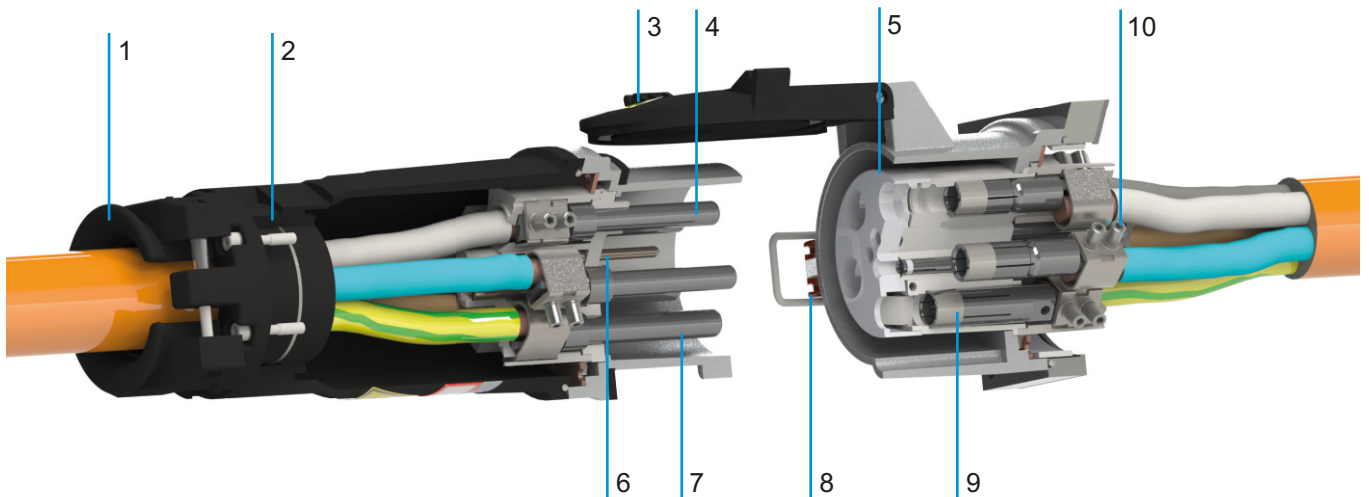


Finger touch protection

Each socket is equipped with a finger touch protection in order to safeguard the user against electrical shocks in the event of unintentional contact with live parts.

Structure of the devices

1. Cable gland IP67, bell shaped entry for easy assembly
2. Rubber sealing ring, protection from water and dust
3. Cover coupling, protection from dirt
4. Power pins, silver-plated contacts for enhanced energy transmission
5. Finger touch protection, maximum safety for user
6. Pilot contact, implemented as standard
7. Earthing pin, earthing of housing
8. Clamping bracket, mechanical closing operation
9. Segmented contact sleeve, suitable for all weather conditions
10. Terminals, easy wiring



Energy Transmission Efficient and reliable

Segmented contact system

The enlarged contact surfaces enable an efficient ratio of contact forces and user friendly operation.

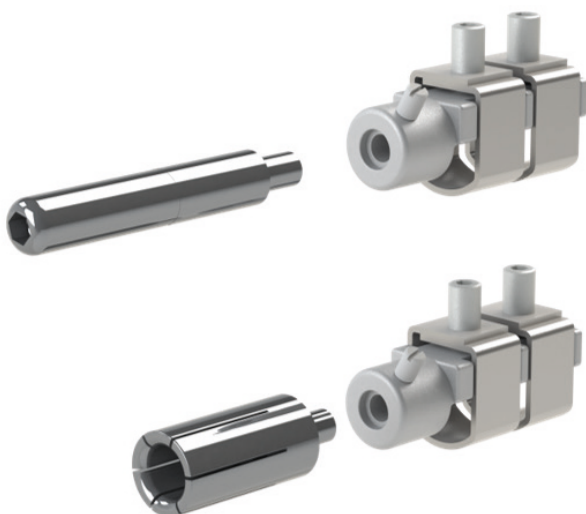
The silver-plated contacts, ensure low contact resistance and minimal power losses. The precise contact system is fully functional, even under severe vibrations and environmental impact.

- Optimized low contact resistance
- Silver plated contact surface
- Minimum power losses
- Self-cleaning effect

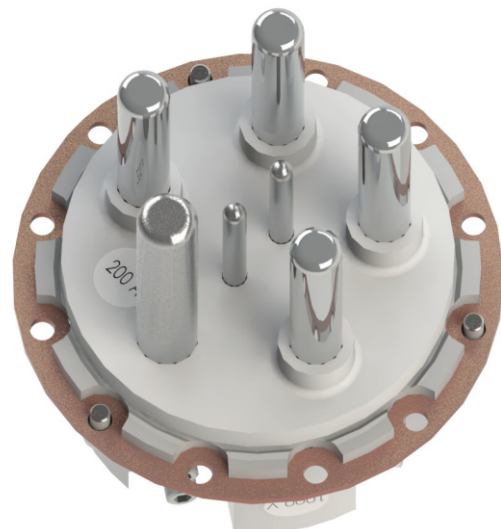
Pilot contacts

The pilot contacts act as auxiliary contacts. They close lagging when inserting and open leading when removing the connector, suitable for an electrical interlocking, i.e. it prevents the plugging and pulling under load in the connector units. The pilot contacts further help preserving the main power contacts from mechanical and thermoelectrical erosion.

The pilot contacts are fitted as standard in the entire product range, so there is no need for retrofitting.



Segmented contact system

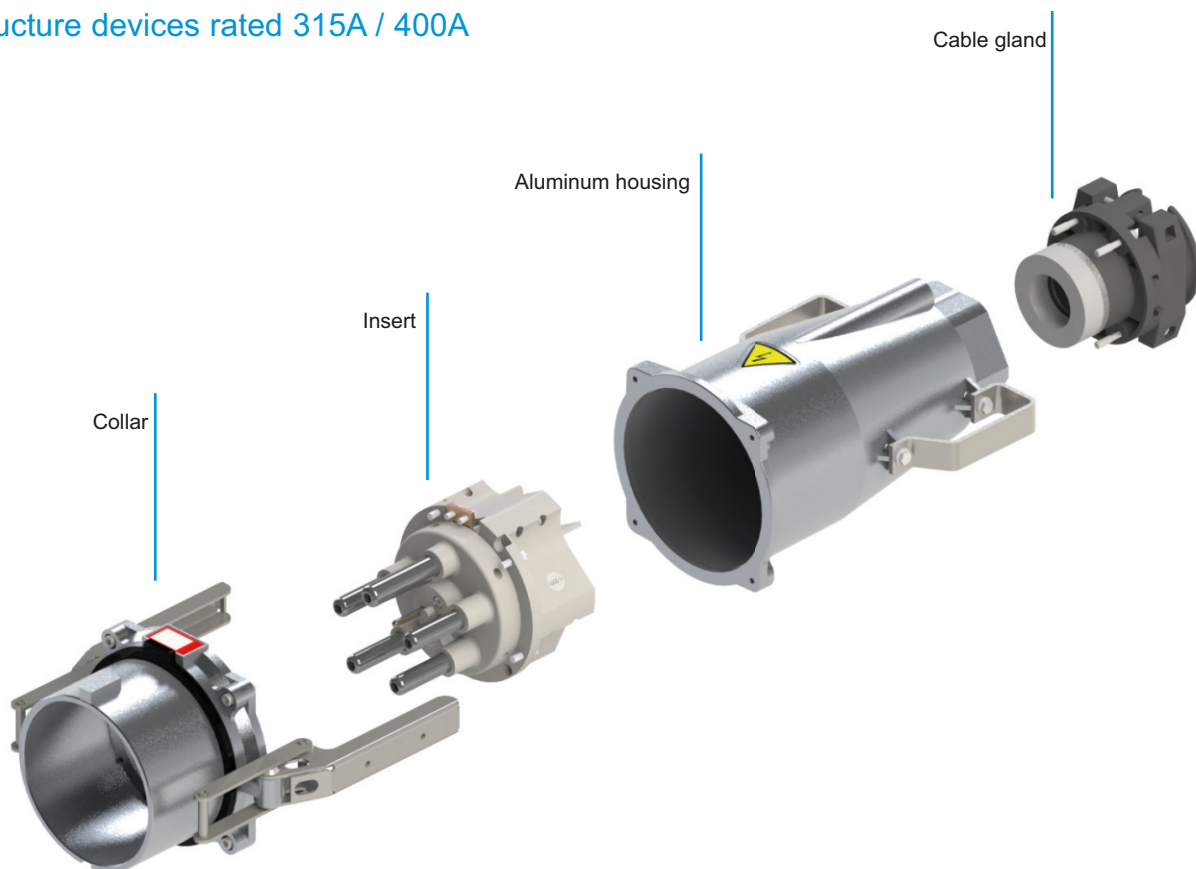


Pilot contacts

Structure devices rated 200A / 250A



Structure devices rated 315A / 400A



Guidelines

- Low voltage directive 2014/35 / EU
- Electromagnetic compatibility (EMC) 2004/30 / EU
- Low-voltage switchgear combinations EN 61439-1: 2011
- Connectors for industrial applications EN 60309-1: 1999 + A1: 2007 + A2: 2012
- Electromagnetic interference (EMC) EN 61000-6-3/4: 2007 + A1: 2011
- Electromagnetic immunity (EMC) EN 61000-6-1: 2007
- Degree of protection by housing (IP code) EN 60529_1991 + A1_2000 + A2_2013
- wRoHS Directive 2011/65 / EU

Technical data

Nominal current	A	200	250	315	400
Rated current	A	250	285	380	450
Rated voltage	V	1000			
Rated frequency	Hz	50 / 60			
Withstand voltage (1 Min / 50 Hz)	V	4000			
Protection grade		IP67			
Shock resistance		IK 10			
Ambient temperature	°C	-40 / +100			
Insulation resistance (Phase-phase and phase-earth)	MOhm	> 500			
Comparative tracking index of the insert	CTI	> 600			
Terminal cross-section (EN 60228 Class 5)	mm ²	35 - 150		70 - 240	
Max. cross section pilot cable, conductor (EN 60228 Class 5)	mm ²	4			
Diameter of cable	mm	34 - 66			
Diameter of cable - separate pilot cable	mm	5 - 10		8 - 15	



200A / 250A rated device

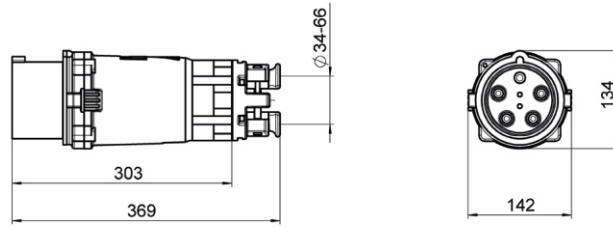


315A / 400A rated device

High current plugs and sockets

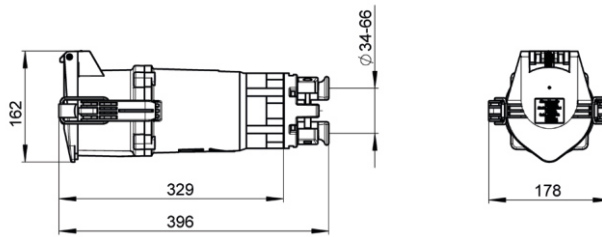
Products rated 200A / 250A

Plug



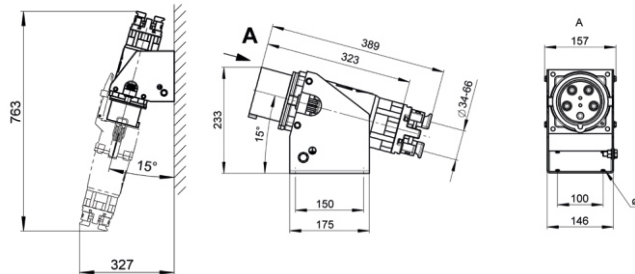
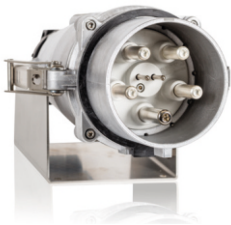
200	4	400V	500V
		50-60 Hz	50-60 Hz
		4pol 5pol	4pol 5pol
		6h 6h	7h 7h
200	4	211155	211156
200	5	211157	
250	4	211158	211159
250	5	211160	

Connector



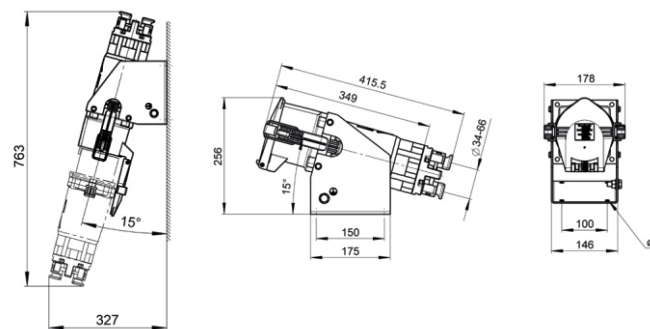
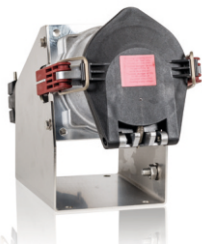
200	4	400V	500V
		50-60 Hz	50-60 Hz
		4pol 5pol	4pol 5pol
		6h 6h	7h 7h
200	4	310805	310806
200	5	310808	
250	4	310809	310810
250	5	310811	

Wall mounted inlet



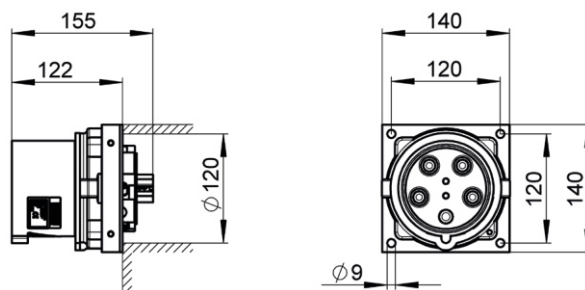
200	4	400V	500V
		50-60 Hz	50-60 Hz
		4pol 5pol	4pol 5pol
		6h 6h	7h 7h
200	4	24646	24647
200	5	24648	
250	4	24649	24650
250	5	24651	

Wall mounted receptacle



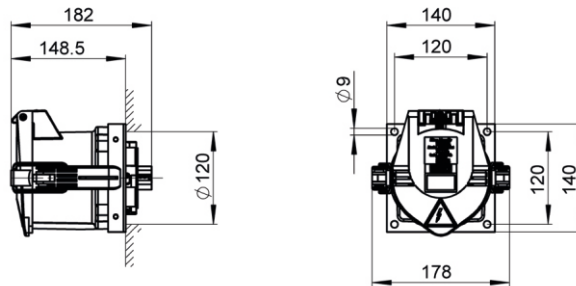
200	4	400V	500V
		50-60 Hz	50-60 Hz
		4pol 5pol	4pol 5pol
		6h 6h	7h 7h
200	4	110605	110606
200	5	110608	
250	4	110609	110610
250	5	110611	

Panel Mounted inlet



200	4	400V	500V
		50-60 Hz	50-60 Hz
		4pol 5pol	4pol 5pol
		6h 6h	7h 7h
200	4	28327	28328
200	5	28329	
250	4	28330	28331
250	5	28332	

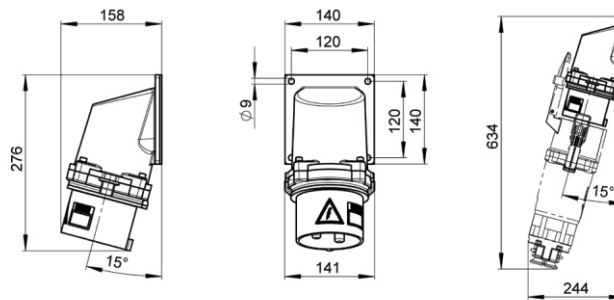
Panel mounted receptacle



Ampere	Poles	400V	500V
		50-60 Hz	50-60 Hz
		4pol 5pol 6h 6h	4pol 5pol 7h 7h
200	4	130355	130356
200	5	130357	
250	4	130358	130359
250	5	130360	

9 Stück

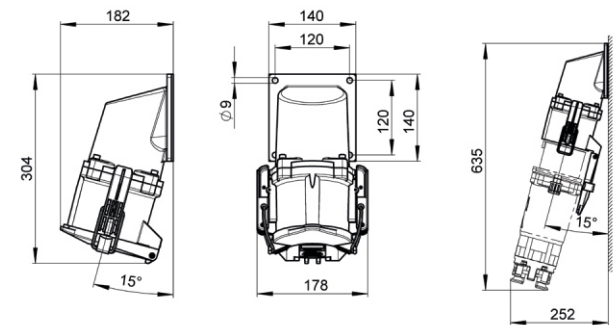
Panel mounted inlet angled



Ampere	Poles	400V	500V
		50-60 Hz	50-60 Hz
		4pol 5pol 6h 6h	4pol 5pol 7h 7h
200	4	26177	26178
200	5	26179	
250	4	26180	26181
250	5	26182	

9 Stück

Panel mounted receptacle angled



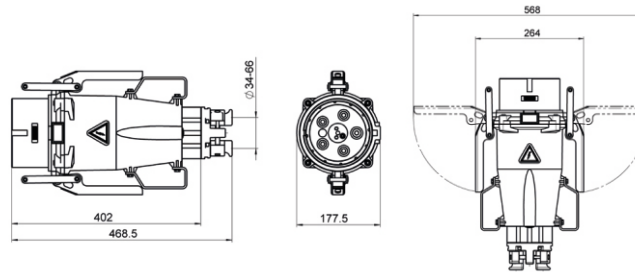
Ampere	Poles	400V	500V
		50-60 Hz	50-60 Hz
		4pol 5pol 6h 6h	4pol 5pol 7h 7h
200	4	120484	120485
200	5	120486	
250	4	120487	120488
250	5	120489	

9 Stück

High current plugs and sockets

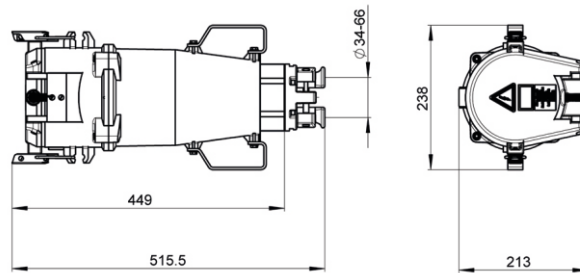
Products rated 315A / 400A

Plug



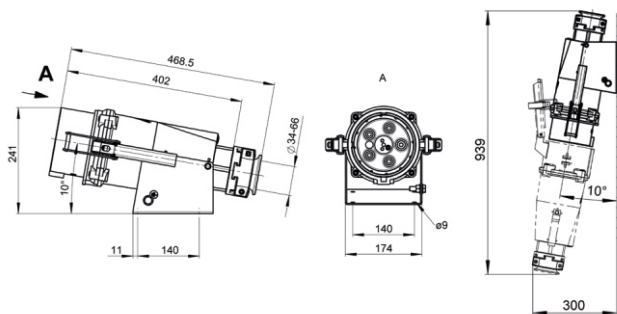
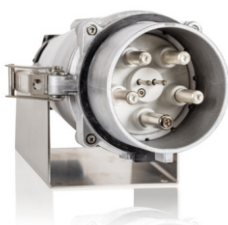
3P+E Ampere	3P+E Poles	400V 50-60 Hz	500V 50-60 Hz	g Stück
		4pol 5pol 6h 6h	4pol 5pol 7h 7h	
315	4	211161	211162	
315	5	211163		
400	4	211164	211165	
400	5	211166		

Connector



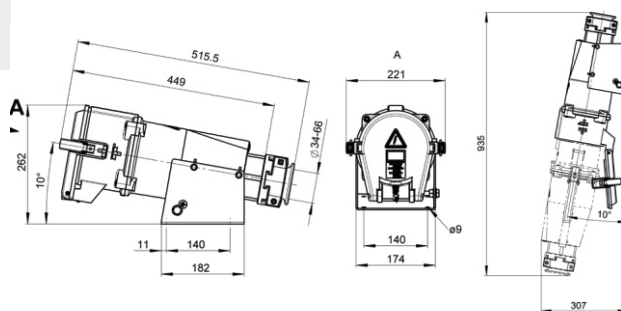
3P+E Ampere	3P+E Poles	400V 50-60 Hz	500V 50-60 Hz	g Stück
		4pol 5pol 6h 6h	4pol 5pol 7h 7h	
315	4	310812	310813	
315	5	310814		
400	4	310815	310816	
400	5	310817		

Wall mounted inlet



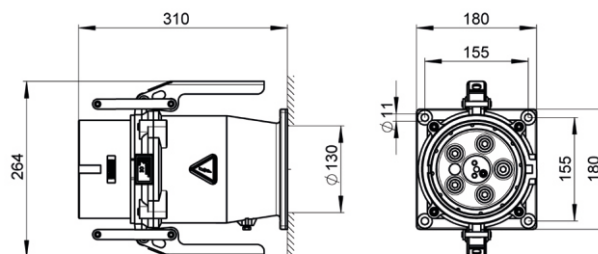
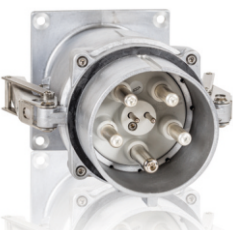
3P+E Ampere	3P+E Poles	400V 50-60 Hz	500V 50-60 Hz	g Stück
		4pol 5pol 6h 6h	4pol 5pol 7h 7h	
315	4	24652	24653	
315	5	24654		
400	4	24655	24656	
400	5	24657		

Wall mounted receptacle



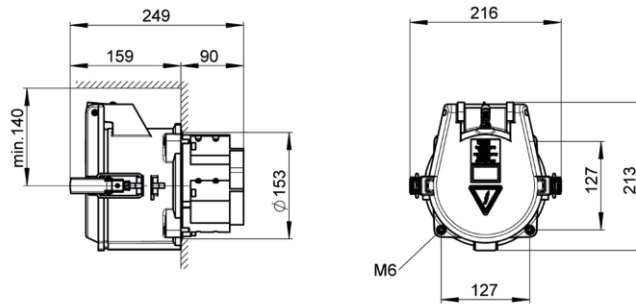
3P+E Ampere	3P+E Poles	400V 50-60 Hz	500V 50-60 Hz	g Stück
		4pol 5pol 6h 6h	4pol 5pol 7h 7h	
315	4	110612	110613	
315	5	110614		
400	4	110615	110616	
400	5	110617		

Panel Mounted inlet



3P+E Ampere	3P+E Poles	400V 50-60 Hz	500V 50-60 Hz	g Stück
		4pol 5pol 6h 6h	4pol 5pol 7h 7h	
315	4	28333	28334	
315	5	28335		
400	4	28336	28337	
400	5	28338		

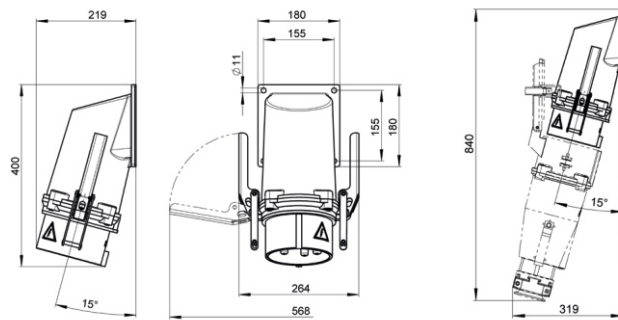
Panel mounted receptacle



Ampere	Poles	400V	500V
		50-60 Hz	50-60 Hz
315	4	130361	130362
315	5	130363	
400	4	130364	130365
400	5	130366	

9 Stück

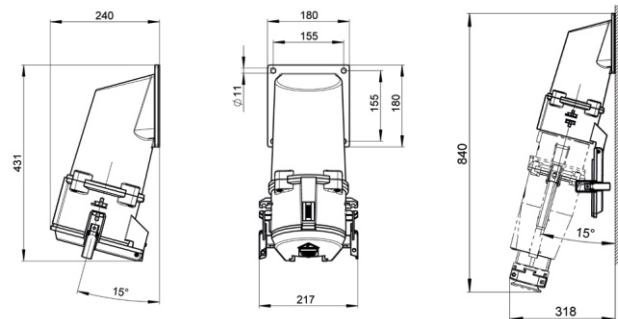
Panel mounted inlet angled



Ampere	Poles	400V	500V
		50-60 Hz	50-60 Hz
315	4	26183	26184
315	5	26185	
400	4	26186	26187
400	5	26188	

9 Stück

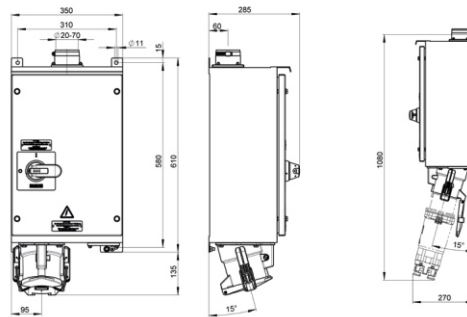
Panel mounted receptacle angled



Ampere	Poles	400V	500V
		50-60 Hz	50-60 Hz
315	4	120490	120491
315	5	120492	
400	4	120493	120494
400	5	120495	

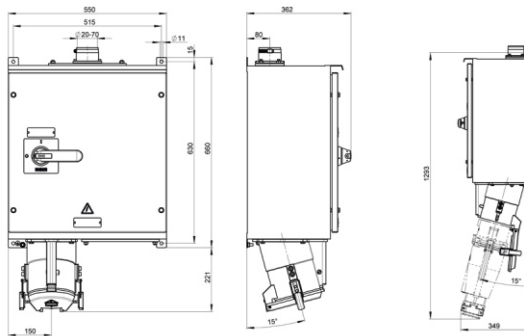
9 Stück

Wall mounted socket
mechanical interlocked



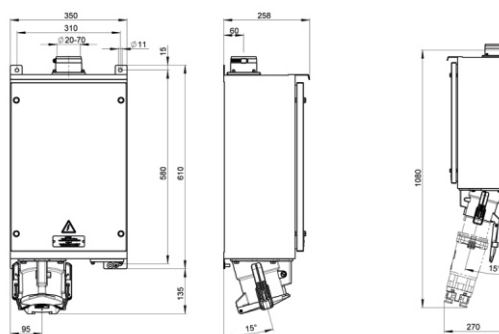
3P+E Ampere	3P+E Poles	400V 50-60 Hz		500V 50-60 Hz		9 Stück
		4pol 6h	5pol 6h	4pol 7h	5pol 7h	
200	4	160584	160585			
200	5	160586				
250	4	160587	160588			
250	5	160589				

Wall mounted socket
mechanical interlocked



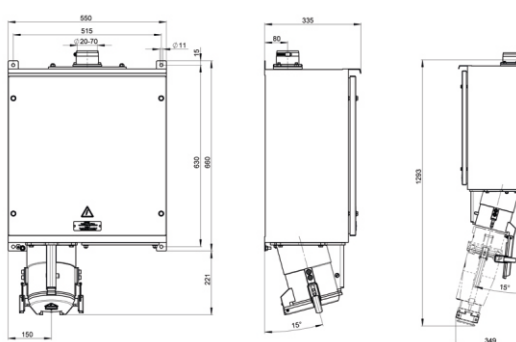
3P+E Ampere	3P+E Poles	400V 50-60 Hz		500V 50-60 Hz		9 Stück
		4pol 6h	5pol 6h	4pol 7h	5pol 7h	
315	4	160590	160591			
315	5	160592				
400	4	160593	160594			
400	5	160595				

Wall mounted socket
electrical interlocked



3P+E Ampere	3P+E Poles	400V 50-60 Hz		500V 50-60 Hz		9 Stück
		4pol 6h	5pol 6h	4pol 7h	5pol 7h	
200	4	160596	160597			
200	5	160598				
250	4	160599	160600			
250	5	160601				

Wall mounted socket
electrical interlocked



3P+E Ampere	3P+E Poles	400V 50-60 Hz		500V 50-60 Hz		9 Stück
		4pol 6h	5pol 6h	4pol 7h	5pol 7h	
315	4	160602	160603			
315	5	160604				
400	4	160605	160606			
400	5	160607				

Protective cover for plug and inlet



	Art. No.
for 200A / 250A	8361
for 315A / 400A	8362

■ made
■ in
■ Germany



Neptune India Limited: A-11, Sector 59,
Noida, Uttar Pradesh- 110009, India
Phone: 9555 500 300
E-mail: connect@neptuneautomatic.com
Website: www.neptuneindia.com