

Connector - with MULTI-GRIP cable gland



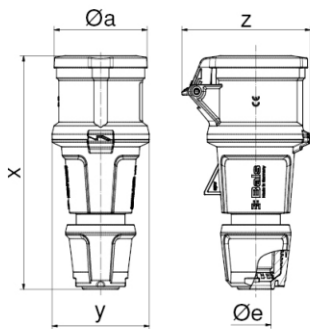
Product description	
BALS-Prd.-Nr	31001
EAN	4024941349529
Product category	Connector INNOLINQ
Current	16A
Number of poles	3p
Poles	2P+PE
Position of earth contact	6 h
Voltage	200 up to 250V
Frequency	50 and 60Hz

Product description	
Protection degree	IP54
Colour code	blue RAL 5015
Colour of appliance	Hinged lid dark grey RAL 7012, Collar blue RAL 5015, Cable gland dark grey RAL 7012, Housing cover dark grey RAL 7012
Connection design	with screw terminal
Maximum conductor size	2,5 qmm
Cable entry	Cable gland
Height	157mm
Width	59mm
Depth	80mm
Material of enclosure	Polyamide
Contact	The contacts are brass, The contact carrier is made of high temperature resistant material

Additional technical information	
	Multi-Grip cable gland with gasket and integrated strain relief, Screwless housing connection with snap fastening, For cable diameter from 8 up to max. 18 mm

Logistics data	
Weight/pcs	0.163 kg / Piece
Packaging	Bag
Content amount	1 ST
EAN	4024941349529

Logistics data	
Length	80 mm
Width	59 mm
Height	157 mm
Weight	0.164 kg
Volume	741.04 ccm



Ampere	16	16	32	32	32
Polzahl	3	5	3	4	5
Ø a	55,0	68,0	69,0	69,0	76,0
x	157,0	171,0	205,0	205,0	205,0
y	59,0	71,0	80,0	80,0	80,0
z	80,0	94,0	99,0	99,0	105,0
Ø e	18,0	21,0	29,0	29,0	29,0
Cond. mm ² min	1	1	2,5	2,5	2,5
Cond. mm ² max	2,5	2,5	6,0	6,0	6,0