

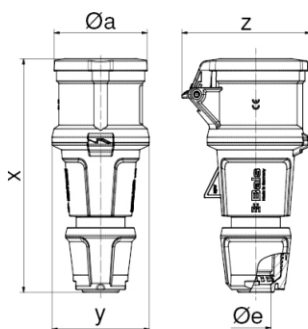
Connector - with MULTI-GRIP cable gland



Product description	
BALS-Prd.-Nr	304
EAN	4024941349765
Product category	Connector INNOLINQ
Current	32A
Number of poles	5p
Poles	3p+N+PE
Position of earth contact	6 h
Voltage	200/346 up to 240/415V
Frequency	50 and 60Hz

Product description	
Protection degree	IP54
Colour code	red RAL 3000
Colour of appliance	Hinged lid dark grey RAL 7012, Collar red RAL 3000, Cable gland dark grey RAL 7012, Housing cover dark grey RAL 7012
Connection design	with screw terminal
Maximum conductor size	6,0 qmm
Cable entry	Cable gland
Height	205mm
Width	80mm
Depth	105mm
Material of enclosure	Polyamide
Contact	The contacts are brass, The contact carrier is made of high temperature resistant material

Additional technical information	
	Multi-Grip cable gland with gasket and integrated strain relief, Screwless housing connection with snap fastening, For cable diameter from 13 up to max. 29 mm



Ampere	16	16	32	32	32
Polzahl	3	5	3	4	5
Ø a	55,0	68,0	69,0	69,0	76,0
x	157,0	171,0	205,0	205,0	205,0
y	59,0	71,0	80,0	80,0	80,0
z	80,0	94,0	99,0	99,0	105,0
Ø e	18,0	21,0	29,0	29,0	29,0
Cond. mm ² min	1	1	2,5	2,5	2,5
Cond. mm ² max	2,5	2,5	6,0	6,0	6,0

